

5FSU Series

Filtered Supply Ventilator

Application

This single-sided ventilator provides filtered supply air to industrial and commercial kitchen applications.

Design

Belt-drive filtered supply ventilator is manufactured from a galvanized metal sheet. Designed to be installed on the roof or wall (15" and 18" units roof-mount only). Units include one set of 1" washable aluminum filters.

Certification

All ventilators are listed UL 705 for electrical.



Fantech, Inc. certifies that the models shown are licensed to bear the AMCA Seal. The ratings are based on the tests and procedures performed in accordance with AMCA Publication 211 and Publication 311 and comply with the requirements of the AMCA Certified Ratings Program. Performance certified is for installation type B- Free inlet, Ducted outlet. Performance ratings do not include the effects of appurtenances (accessories).



- Airflow up to 5,400 cfm
- Lifting lugs are standard on all sizes
- AMCA certified for sound and air
- Variable pitch sheaves to allow speed adjustments



Specification data

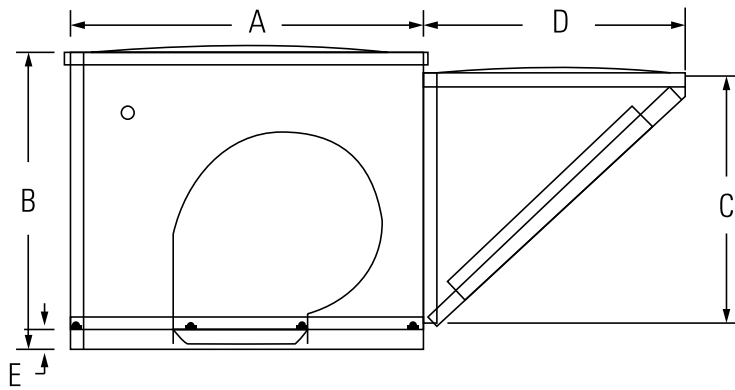
Model	Rated power	Voltage / phase	RPM	0.125" P _s	0.25" P _s	0.375" P _s	0.50" P _s	0.75" P _s	1.00" P _s	1.25" P _s	Shipping weight	Shipping class	Item #	
	HP	V / ~	min ⁻¹	cfm							lbs			
				Max BHP [†] LWA [‡]										
5FSU 10BB	1/4	120/230 / 1	689	1647	1387	1044	184	-	-	-	183	2	47640	
				0.29 -	0.29 81	0.29 -	0.29 -	-	-	-				
5FSU 10CB	1/3	120/230 / 1	760	1863	1637	1377	697	-	-	-	185	2	47508	
				0.38 -	0.38 82	0.38 -	0.38 -	-	-	-				
5FSU 10DB	1/2	120/230 / 1	870	2184	2000	1792	1557	334	-	-	198	2	47354	
				0.58 -	0.58 82	0.58 -	0.58 -	0.58 -	-	-				
5FSU 10FB	1	120/230 / 1	1090	2811	2679	2527	2368	2011	1420	-	216	2	47355	
				1.13 -	1.13 84	1.13 -	1.13 -	1.13 -	1.13 -	-				
5FSU 12EB	1	120/230 / 1	725	3021	2769	2468	2053	344	-	-	291	2	48670	
				0.79 -	0.79 79	0.79 -	0.79 -	0.79 -	-	-				
5FSU 15FB	1	120/230 / 1	670	3963	3671	3345	2931	1283	336	-	303	2	47776	
				1.13 -	1.13 78	1.13 -	1.13 -	1.13 -	1.13 -	-				
5FSU 15GB	1-1/2	120/230 / 1	745	4464	4216	3933	3616	2780	1079	340	309	2	47359	
				1.56 -	1.56 81	1.56 -	1.56 -	1.56 -	1.56 -	1.56 -				
5FSU 18GB	1-1/2	120/230 / 1	592	5409	4989	4515	4043	2386	809	-	449	2	47361	
				1.50 -	1.50 79	1.50 -	1.50 -	1.50 -	1.50 -	-				

Performance certified is for installation type B: Free Inlet, Ducted Outlet. Performance ratings include the effects of filters.

[†] Power ratings (BHP) do not include transmission losses. The A-weighted sound ratings are calculated per AMCA Standard 301.

[‡] Values shown are for total LWA sound power levels for Installation Type B: Free Inlet, Ducted Outlet. Ratings include the effects of duct end correction for the outlet duct.

Dimensions



Model	A	B	C	D	E
5FSU 10BB	30	25	21	22	1 1/2
5FSU 10CB	30	25	21	22	1 1/2
5FSU 10DB	30	25	21	22	1 1/2
5FSU 10FB	30	25	21	22	1 1/2
5FSU 12EB	34 1/2	32	26	30	2
5FSU 15FB	34 1/2	32	26	30	2
5FSU 15GB	34 1/2	32	26	30	2
5FSU 18GB	42	36	31	33	2

Dimensional information is in inches.

Accessories



5ACC.. FS
Non-ventilated Curb



5ACC.. FT
Non-ventilated Curb



5ACC.. MS
Motor Disconnect