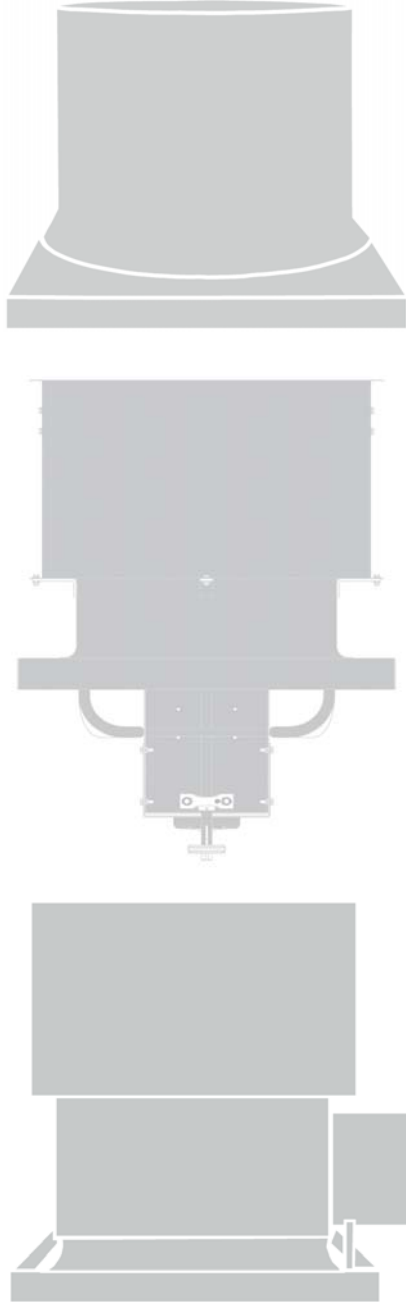


# PROPELLER UPBLAST



# Propeller Upblast

## Upblast Propeller Roof Fans



Page

Introduction . . . . .	2
Propeller Information . . . . .	3
Standard Construction Features . . . . .	4-5
<b>Specification and Dimension Data</b>	
LXUL / LXUM (Low Silhouette Steel Propeller) . . . . .	6
LEU (Low Silhouette Extruded Aluminum Propeller). . . . .	7
LTU (Low Silhouette Steel Propeller) . . . . .	8
AUD (Cast Aluminum Propeller – Direct Drive) . . . . .	9
AUB (Cast Aluminum Propeller – Belt Drive) . . . . .	10
EUB (Extruded Aluminum Propeller) . . . . .	11
TUD (Steel Propeller – Direct Drive) . . . . .	12
TUB (Steel Propeller – Belt Drive) . . . . .	13
TUBSC (Steel Propeller - Belt Drive) . . . . .	14
Application Information (TUBSC) . . . . .	15
Accessories . . . . .	16-17
<b>Performance Data</b>	
20-60 LXUL/LXUM . . . . .	18-21
20-60 LEU . . . . .	22-23
20-60 LTU . . . . .	24-25
24-48 AUD . . . . .	26
24-48 AUB . . . . .	27
24-72 EUB . . . . .	28-29
20-60 TUD . . . . .	30
20-72 TUB/TUBSC . . . . .	31-32

# INTRODUCTION

Loren Cook Company Propeller Upblast fans are designed for industrial and commercial applications requiring movement of large volume of air with low static pressures and discharge of air up and away from a building. All units are produced in an ISO 9001 certified facility and are listed by Underwriters Laboratory (UL 705) and UL Listed for Canada (cUL 705).

- Exhausted air is naturally diluted in the atmosphere and carried away by air currents.
- Offered in both low silhouette and standard versions.
- Low silhouette units are especially suited for use in metal buildings with standing seam roofs where service of the motor and drive components from inside the building is desired.



LXU/LEU



LTU



AUD/TUD



AUB/EUB/TUB

## LXU

- LXU/LXUM are low silhouette units that utilize the **COOK "X.STREAM Series"** steel propeller.
- LXUL/LXUM are licensed to bear AMCA Certified Seals for Air and Sound Performance.
- LXUL/LXUM are belt drive units available in 8 sizes from 20 to 60 inches. Performance ranges from 3,300 to 59,000 CFM with static pressures from 0 to .625 inches.

## LEU

- LEU is a low silhouette unit that utilizes the **COOK "E Series"** extruded aluminum airfoil propeller.
- LEU is licensed to bear AMCA Certified Seal for Air and Sound Performance.
- LEU is a belt drive unit available in 8 sizes from 20 to 60 inches. Performance ranges from 3,400 to 59,000 CFM with static pressures from 0 to 1 inch.

## LTU

- LTU is a low silhouette unit that utilizes the **COOK "TRITON® Series"** steel propeller.
- LTU is licensed to bear AMCA Certified Seal for Air Performance.
- LTU is a belt drive unit available in 8 sizes from 20 to 60 inches. Performance ranges from 3,400 to 73,000 CFM with static pressures from 0 to 1.125 inches.

## AUD/AUB

- AUD and AUB are standard units that utilize the **COOK "A Series"** cast aluminum airfoil propeller.
- AUD and AUB are licensed to bear AMCA Certified Seals for Air Performance.
- AUD is a direct drive unit available in 5 sizes from 24 to 48 inches. Performance ranges from 3,600 to 35,000 CFM with static pressures from 0 to .250 inches.
- AUB is a belt drive unit available in 5 sizes from 24 to 48 inches. Performance ranges from 4,000 to 35,000 CFM with static pressures from 0 to .250 inches.

## EUB

- EUB is a standard unit that utilizes the **COOK "E Series"** extruded aluminum airfoil propeller.
- EUB is licensed to bear AMCA Certified Seal for Air Performance.
- EUB is a belt drive unit available in 8 sizes from 24 to 72 inches. Performance ranges from 4,000 to 94,000 CFM with static pressures from 0 to 1.250 inches.

## TUD/TUB/TUBSC

- TUD and TUB are standard units that utilize the **COOK "TRITON® Series"** steel propeller.
- TUB is available with UL/cUL listing for "Power Ventilator for Smoke Control Systems".
- TUB is licensed to bear AMCA Certified Seal for Air Performance.
- TUBSC is UL listed "Power Ventilator for Smoke Control Systems".
- TUD is a direct drive unit available in 8 sizes from 20 to 60 inches. Performance ranges from 3,400 to 60,000 CFM with static pressures from 0 to 1 inch.
- TUB / TUBSC are belt drive units available in 9 sizes from 20 to 72 inches. Performance ranges from 3,300 to 92,000 CFM with static pressures from 0 to 1.25 inch.



## **“A Series” - Cast Aluminum Airfoil Propeller**

- Designed for heavy commercial or industrial applications where large volumes of air are required at low static pressures.
- Constructed of heavy gauge aluminum with six cast blades and a cast hub.
- Blade pitch is determined at the factory and the blades are locked into place by a roll pin.
- Statically and dynamically balanced for vibration free operation.



## **“E Series” - Extruded Aluminum Airfoil Propeller**

- Designed for use where higher static pressures are required.
- Constructed with six extruded aluminum airfoil blades and mounted to a cast aluminum hub.
- Blade pitch is determined at the factory and the blades are locked into place by a roll pin.
- “E Series” blade has a non-overloading characteristic such as is found in a centrifugal type wheel.
- Statically and dynamically balanced for vibration free operation.



## **“TRITON® Series” – Steel Propeller**

- Designed using Computational Fluid Dynamics (CFD) and Finite Element Analysis (FEA) to provide optimum air flow, efficiency, quality and durability.
- Constructed of heavy gauge steel components in a fully welded assembly.
- Designed for large volumes of air at medium pressure levels.
- Statically and dynamically balanced for vibration free operation.



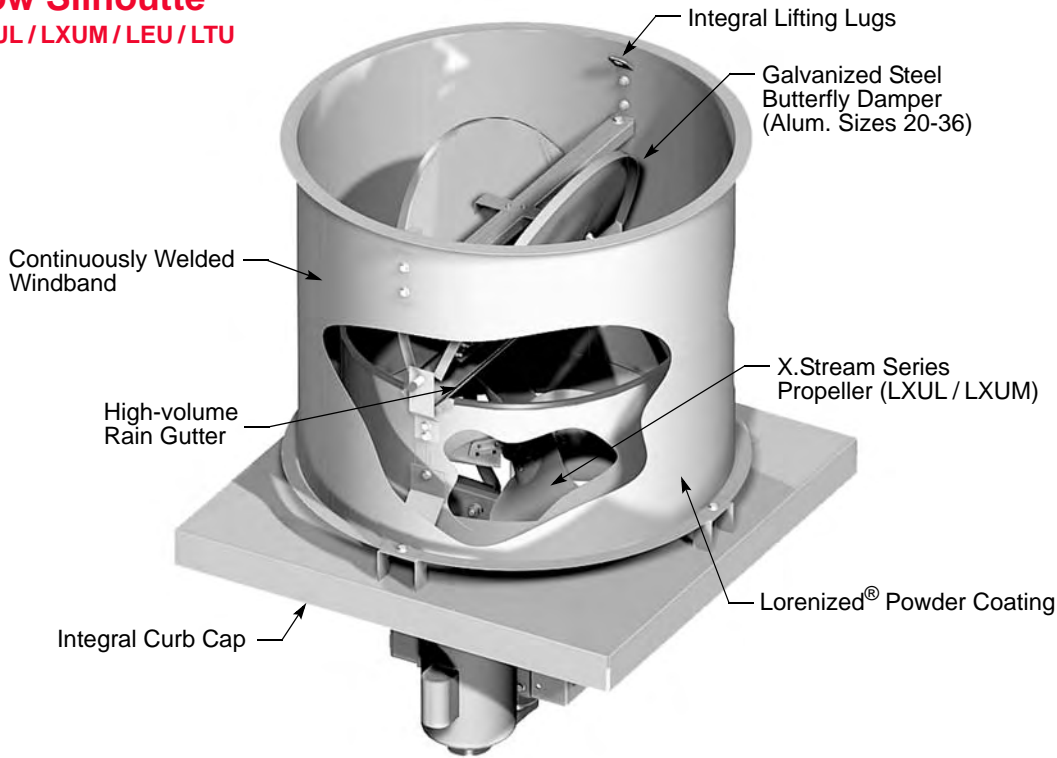
## **“X.STREAM Series” - Steel Propeller**

- Designed using Computational Fluid Dynamics (CFD) and Finite Element Analysis (FEA) to provide optimum air flow, efficiency, quality and durability.
- Available in both low pressure (LXUL) and medium pressure (LXUM) models providing a wide performance range, high pressure capabilities, and low noise levels.
- Constructed of fabricated steel blades securely attached to a minimum 7 gauge steel hub.
- Statically and dynamically balanced for vibration free operation.

# STANDARD CONSTRUCTION FEATURES

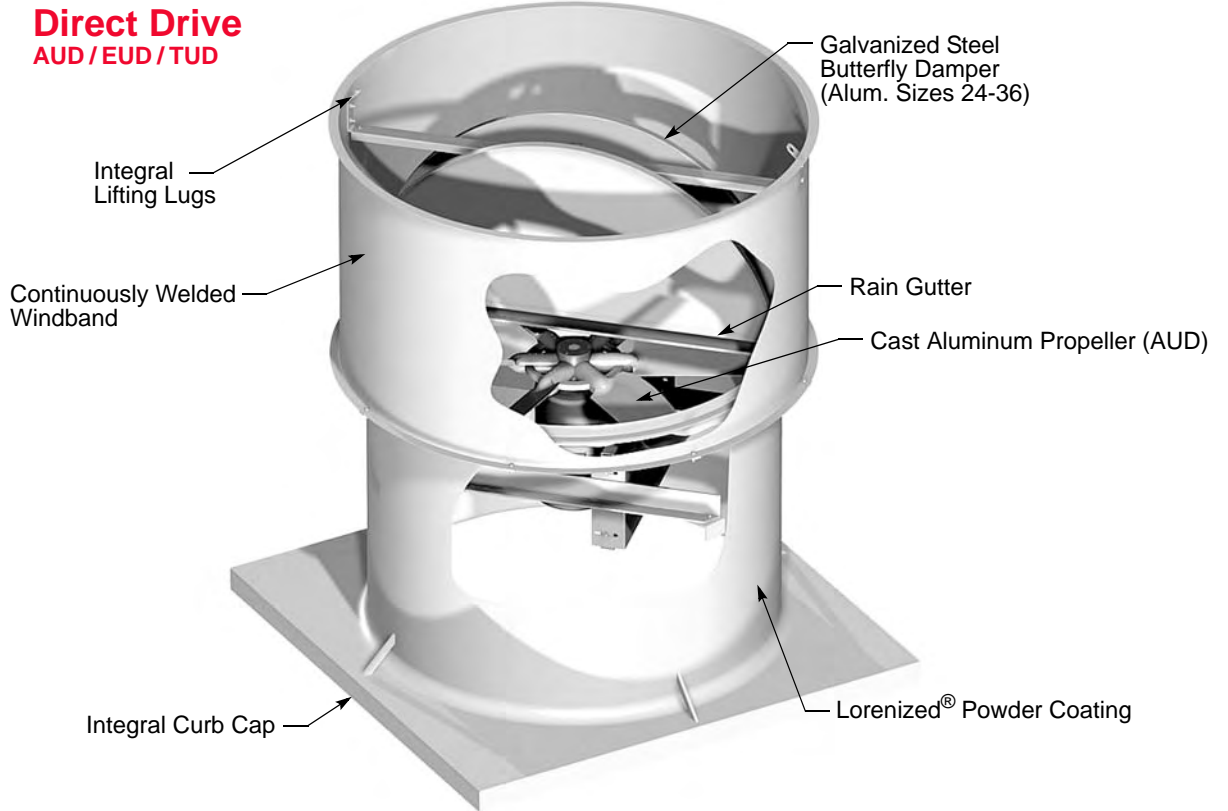
## Low Silhouette

LXUL / LXUM / LEU / LTU

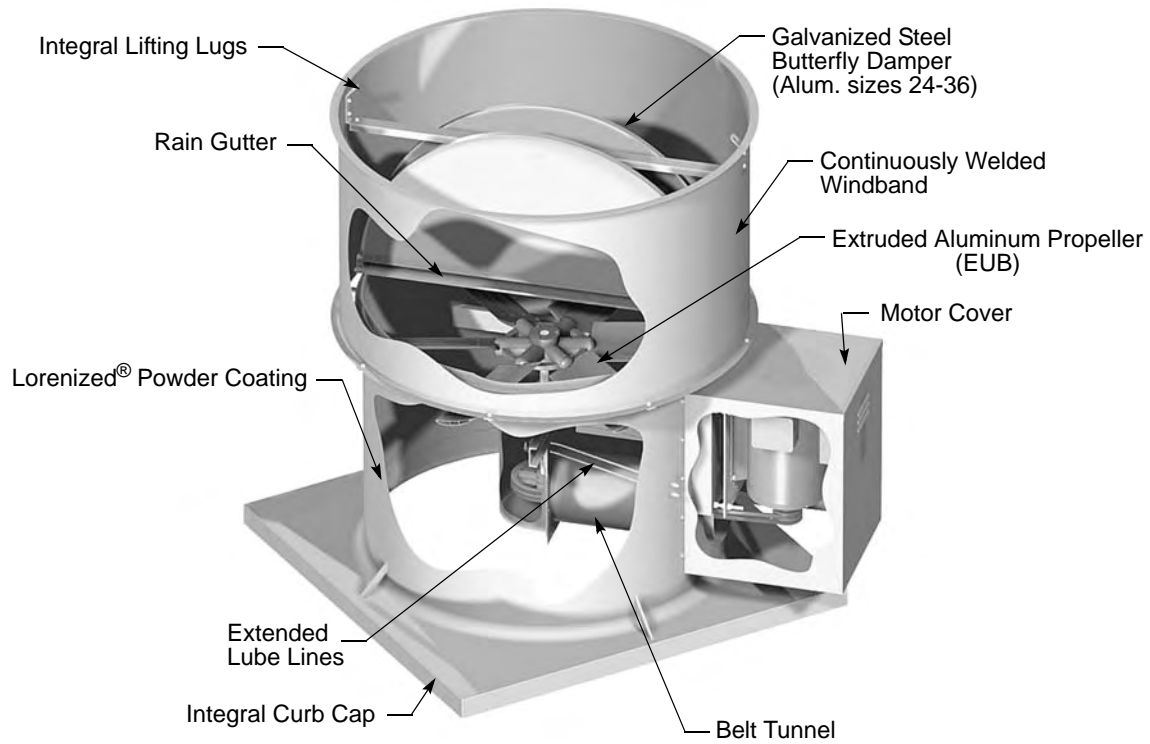


## Direct Drive

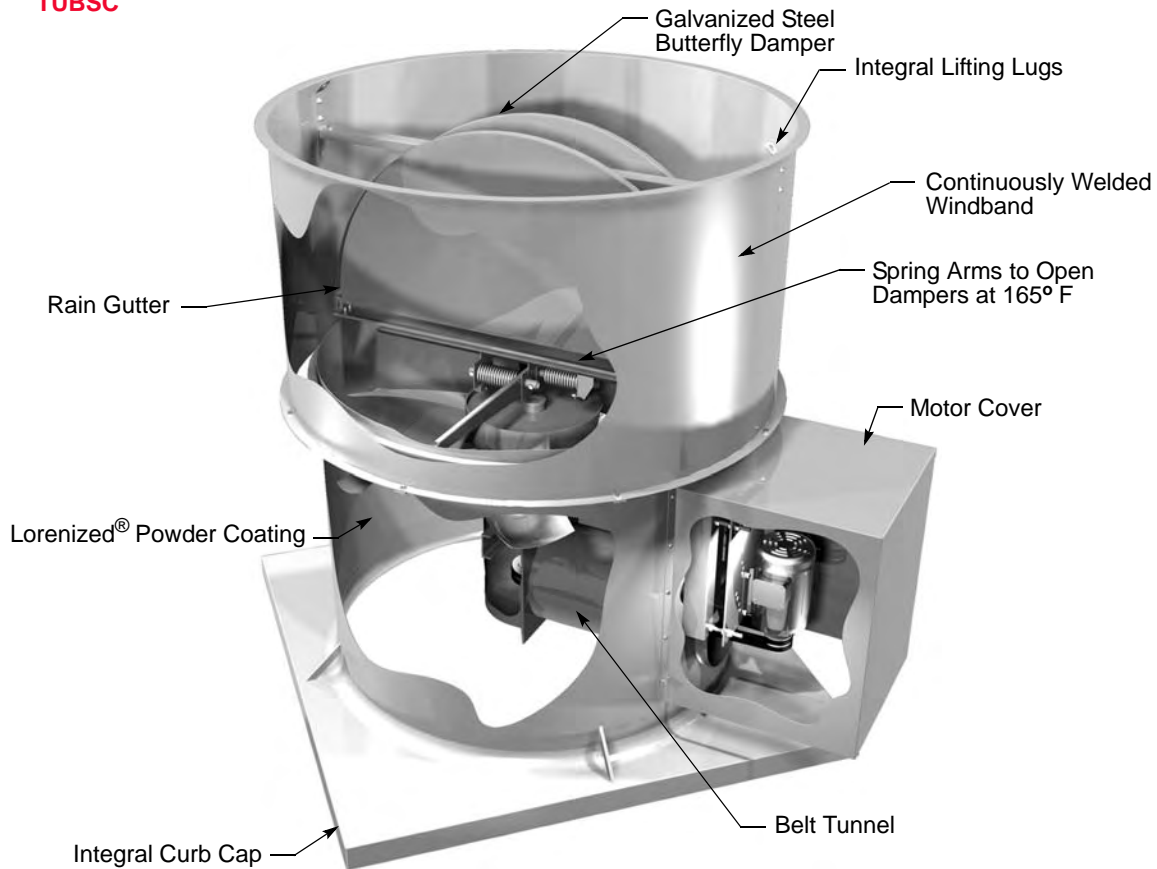
AUD / EUD / TUD



## Belt Drive AUB / EUB / TUB



## UL for Smoke Control TUBSC



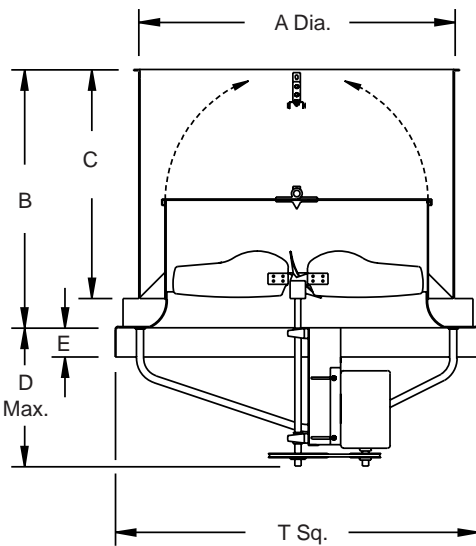
**Upblast Roof Fan  
Low Silhouette  
X.STREAM Propeller  
Belt Drive**



Loren Cook Company certifies that the LXUL/LXUM shown herein is licensed to bear the AMCA Seal. The ratings shown are based on tests and procedures performed in accordance with AMCA Publication 211 and AMCA Publication 311 and comply with the requirements of the AMCA Certified Ratings Program.



Type LXUL/LXUM are furnished standard with UL 705 and cUL 705 listing (Power Ventilator/ZACT) when furnished with factory supplied motor.



**Description** - Fan shall be a low silhouette, belt driven upblast propeller roof fan.  
**Certifications** - Fan shall be manufactured at an ISO 9001 certified facility. Fan shall be listed by Underwriters Laboratories (UL 705) and UL listed for Canada (cUL 705). Fan shall bear the AMCA Certified Ratings Seal for Sound and Air Performance.

**Construction** - The fan shall be of bolted and welded construction utilizing corrosion resistant fasteners. The motor, bearings and drives shall be mounted on a tubular steel power assembly. The power assembly shall be welded to a minimum 14 gauge steel base. The base shall have an integral venturi and continuously welded curb cap corners. Fan housing shall be minimum 14 gauge steel, bolted to the fan base. Fan shall have butterfly discharge dampers of aluminum or steel construction with a high volume rain gutter to prevent rain infiltration. Dampers shall be protected by a continuously welded steel windband. Windband shall be minimum 18 gauge steel with minimum one inch flanges for maximum strength and rigidity. The fan shall include integral lifting lugs capable of safely supporting the total weight of the fan with motor. Unit shall bear an engraved aluminum nameplate and shall be shipped in ISTA Certified Transit Tested Packaging.

**Coating** - All steel fan components shall be Lorenized<sup>®</sup> with an electrostatically applied, baked polyester powder coating. Each component shall be subject to a five stage environmentally friendly wash system, followed by a minimum 2 mil thick baked powder finish. Paint must exceed 1,000 hour salt spray under ASTM B117 test method.

**Propeller** - Propeller shall be a high-efficiency fabricated steel design with blades securely fastened to a minimum 7 gauge steel hub. The hub shall be keyed and locked to the fan shaft utilizing two setscrews. Propeller shall be balanced in accordance with AMCA Standard 204-05, Balance Quality and Vibration Levels for Fans.

**Motor** - Motor shall be Nema design B with class B insulation rated for continuous duty and furnished at the specified voltage, phase and enclosure.

**Bearings** - Bearings shall be cast pillowblock ball type selected for a minimum L50 life in excess of 200,000 hours at maximum cataloged operating speed.

**Belts and Drives** - Belts shall be oil and heat resistant, non-static type. Drives shall be precision machined cast iron type, keyed and securely attached to the wheel and motor shafts. Drives shall be sized for 150% of the installed motor horsepower. The variable pitch motor drive must be factory set to the specified fan RPM.

**Product** - Fan shall be model LXUL/LXUM as manufactured by Loren Cook Company of Springfield, Missouri.

**LXUL/LXUM Dimension Data**

Size	A Dia.	B	C	D Max.	E	T Sq.	Steel Gauge			Roof Opening Square	Approx. Ship Wt. Lbs.
							Base	Housing	Baffle		
20	27-3/8	24-1/8	22-1/8	21	2	32	14	14	18	27-1/2	300
24	31-3/8	28	26	21	3	36	14	14	18	31-1/2	370
30	37-3/8	34	32	21	3	42	14	14	18	37-1/2	440
36	43-3/8	38	36	21	3	48	14	14	18	43-1/2	500
42	49-3/8	45	43	21	3	54	14	14	18	49-1/2	590
48	55-3/8	50	48	24	3	60	14	14	18	55-1/2	655
54	61-3/8	46	44	28	3	66	14	14	16	61-1/2	800
60	67-3/8	51	49	28	3	72	14	14	16	67-1/2	1000

All dimensions in inches. \*Roof opening size for curbs supplied by Loren Cook Company only. Shipping weights are less motor.

## Upblast Roof Fan Low Silhouette Extruded Aluminum Propeller Belt Drive



**Description** - Fan shall be a low silhouette, belt driven upblast propeller roof fan.  
**Certifications** - Fan shall be manufactured at an ISO 9001 certified facility. Fan shall be listed by Underwriters Laboratories (UL 705) and UL listed for Canada (cUL 705). Fan shall bear the AMCA Certified Ratings Seal for Sound and Air Performance.

**Construction** - The fan shall be of bolted and welded construction utilizing corrosion resistant fasteners. The motor, bearings and drives shall be mounted on a tubular steel power assembly. The power assembly shall be welded to a minimum 14 gauge steel base. The base shall have an integral venturi and continuously welded curb cap corners. Fan housing shall be minimum 14 gauge steel and bolted to the fan base. Fan shall have butterfly discharge dampers of aluminum or steel construction with a high volume rain gutter to prevent rain infiltration. Dampers shall be protected by a continuously welded steel windband. Windband shall be minimum 18 gauge steel with minimum one inch flanges for maximum strength and rigidity. The fan shall include integral lifting lugs capable of safely supporting the total weight of the fan with motor. Unit shall bear an engraved aluminum nameplate and shall be shipped in ISTA Certified Transit Tested Packaging.

**Coating** - All steel fan components shall be Lorenized<sup>®</sup> with an electrostatically applied, baked polyester powder coating. Each component shall be subject to a five stage environmentally friendly wash system, followed by a minimum 2 mil thick baked powder finish. Paint must exceed 1,000 hour salt spray under ASTM B117 test method.

**Propeller** - Propeller shall be extruded aluminum airfoil design with cast aluminum hub. The blade pitch shall be factory set and locked using set screws and roll pins. The hub shall be keyed and locked to the shaft utilizing two set screws or a taper lock bushing. Propeller shall be balanced in accordance with AMCA Standard 204-05, Balance Quality and Vibration Levels for Fans.

**Motor** - Motor shall be Nema design B with class B insulation rated for continuous duty and furnished at the specified voltage, phase and enclosure.

**Bearings** - Bearings shall be cast pillowblock ball type selected for a minimum L50 life in excess of 200,000 hours at maximum cataloged operating speed.

**Belts and Drives** - Belts shall be oil and heat resistant, non-static type. Drives shall be precision machined cast iron type, keyed and securely attached to the wheel and motor shafts. Drives shall be sized for 150 percent of the installed motor horsepower. The variable pitch motor drive must be factory set to the specified fan RPM.

**Product** - Fan shall be model LEU as manufactured by Loren Cook Company of Springfield, Missouri.



Loren Cook Company certifies that the LEU shown herein is licensed to bear the AMCA Seal. The ratings shown are based on tests and procedures performed in accordance with AMCA Publication 211 and AMCA Publication 311 and comply with the requirements of the AMCA Certified Ratings Program.

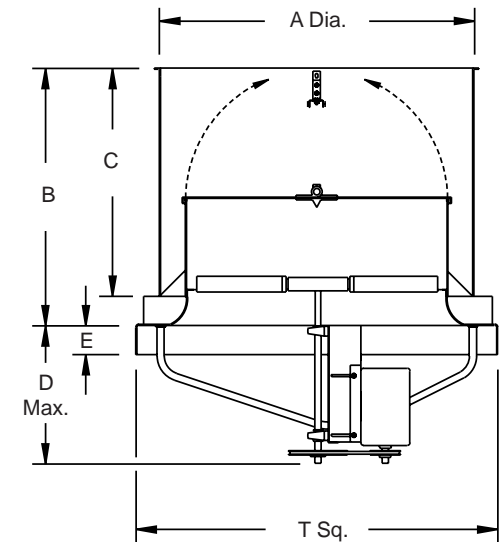


Type LEU is furnished standard with UL 705 and cUL 705 listing (Power Ventilator/ZACT) when furnished with factory supplied motor.

### LEU Dimension Data

Size	A Dia.	B	C	D Max.	E	T Sq.	Steel Gauge			Roof Opening Square	Approx. Ship Wt. Lbs.
							Base	Housing	Baffle		
20	27-3/8	24-1/8	22-1/8	21	2	32	14	14	18	27-1/2	300
24	31-3/8	28	26	21	3	36	14	14	18	31-1/2	370
30	37-3/8	34	32	21	3	42	14	14	18	37-1/2	440
36	43-3/8	38	36	21	3	48	14	14	18	43-1/2	500
42	49-3/8	45	43	21	3	54	14	14	18	49-1/2	590
48	55-3/8	50	48	24	3	60	14	14	18	55-1/2	655
54	61-3/8	46	44	28	3	66	14	14	16	61-1/2	800
60	67-3/8	51	49	28	3	72	14	14	16	67-1/2	1000

All dimensions in inches. Shipping weights are less motor. \*Roof opening size for curbs supplied by Loren Cook Company only.





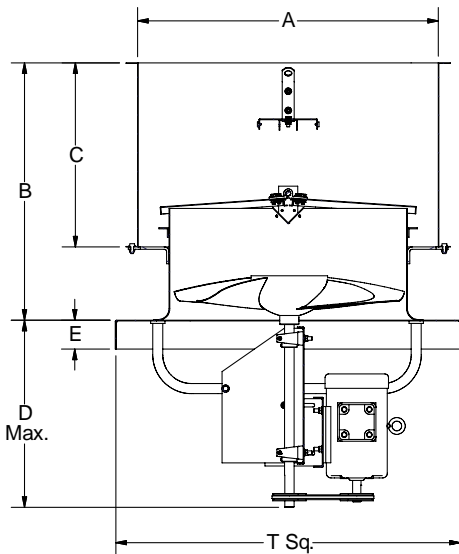
**Upblast Roof Fan  
Low Silhouette  
TRITON® Steel Propeller  
Belt Drive**



Loren Cook Company certifies that the LTU shown herein is licensed to bear the AMCA Seal. The ratings shown are based on tests and procedures performed in accordance with AMCA Publication 211 and comply with the requirements of the AMCA Certified Ratings Program.



Type LTU is furnished standard with UL 705 and cUL 705 listing (Power Ventilator/ZACT) when furnished with factory supplied motor.



**Description** - Fan shall be a low silhouette, belt driven upblast propeller roof fan.

**Certifications** - Fan shall be manufactured at an ISO 9001 certified facility. Fan shall be listed by Underwriters Laboratories (UL 705) and UL listed for Canada (cUL 705). Fan shall bear the AMCA Certified Ratings Seal for Air Performance.

**Construction** - The fan shall be of bolted and welded construction utilizing corrosion resistant fasteners. The motor, bearings and drives shall be mounted on a tubular steel power assembly. The power assembly shall be welded to a minimum 14 gauge steel base. The base shall have an integral venturi and continuously welded curb cap corners. Fan housing shall be minimum 14 gauge steel, bolted to the fan base. Fan shall have butterfly discharge dampers of aluminum or steel construction with a high volume rain gutter to prevent rain infiltration. Dampers shall be protected by a continuously welded steel windband. Windband shall be minimum 18 gauge steel with minimum one inch flanges for maximum strength and rigidity. The fan shall include integral lifting lugs capable of safely supporting the total weight of the fan with motor. Unit shall bear an engraved aluminum nameplate and shall be shipped in ISTA Certified Transit Tested Packaging.

**Coating** - All steel fan components shall be Lorenized® with an electrostatically applied, baked polyester powder coating. Each component shall be subject to a five stage environmentally friendly wash system, followed by a minimum 2 mil thick baked powder finish. Paint must exceed 1,000 hour salt spray under ASTM B117 test method.

**Propeller** - Propeller shall be a high-efficiency fabricated steel design with blades securely fastened to a minimum 7 gauge steel hub. The hub shall be keyed and locked to the fan shaft utilizing two setscrews. Propeller shall be balanced in accordance with AMCA Standard 204-05, Balance Quality and Vibration Levels for Fans.

**Motor** - Motor shall be Nema design B with class B insulation rated for continuous duty and furnished at the specified voltage, phase and enclosure.

**Bearings** - Bearings shall be cast pillowblock ball type selected for a minimum L50 life in excess of 200,000 hours at maximum cataloged operating speed.

**Belts and Drives** - Belts shall be oil and heat resistant, non-static type. Drives shall be precision machined cast iron type, keyed and securely attached to the wheel and motor shafts. Drives shall be sized for 150% of the installed motor horsepower. The variable pitch motor drive must be factory set to the specified fan RPM.

**Product** - Fan shall be model LTU as manufactured by Loren Cook Company of Springfield, Missouri.

**LTU Dimension Data**

Size	A Dia.	B	C	D Max.	E	T Sq.	Steel Gauge			Roof Opening Square	Approx. Ship Wt. Lbs.
							Base	Housing	Baffle		
20	27-1/4	24-7/8	17-1/2	22	2	32	14	14	18	27-1/2	306
24	31-1/4	26-3/4	19-1/8	22	3	36	14	14	18	31-1/2	378
30	37-1/4	33-3/4	23-5/8	22	3	42	14	14	18	37-1/2	448
36	43-1/4	38	25-5/8	22	3	48	14	14	18	43-1/2	520
42	49-1/4	44	27-5/8	22	3	54	14	14	18	49-1/2	610
48	55-1/4	49-5/8	31-1/4	25	3	60	14	14	18	55-1/2	700
54	61-1/4	48-1/8	35-1/4	29	3	66	14	14	16	61-1/2	870
60	67-1/4	50-3/8	36-1/2	29	3	72	14	14	16	67-1/2	1080

All dimensions in inches. \*Roof opening size for curbs supplied by Loren Cook Company only. Shipping weights are less motor.

## Upblast Roof Fan Cast Aluminum Propeller Direct Drive



**Description** - Fan shall be a direct drive upblast propeller roof fan.

**Certifications** - Fan shall be manufactured at an ISO 9001 certified facility. Fan shall be listed by Underwriters Laboratories (UL 705) and UL listed for Canada (cUL 705). Fan shall bear the AMCA Certified Ratings Seal for Air Performance.

**Construction** - The fan shall be of bolted and welded construction utilizing corrosion resistant fasteners. The motor and propeller shall be mounted on a minimum 10 gauge welded steel power assembly inside a minimum 14 gauge welded steel housing. The housing shall be continuously welded to a minimum 14 gauge steel base with integral venturi and continuously welded curb cap corners. Fan shall have hinged butterfly discharge dampers of aluminum or steel construction with a rain gutter to prevent rain infiltration. Dampers shall be protected by a continuously welded steel windband of minimum 18 gauge steel with minimum one inch flanges for maximum strength and rigidity. Unit shall bear an engraved aluminum nameplate and shall be shipped in ISTA Certified Transit Tested Packaging.

**Coating** - All steel fan components shall be Lorenized<sup>®</sup> with an electrostatically applied, baked polyester powder coating. Each component shall be subject to a five stage environmentally friendly wash system, followed by a minimum 2 mil thick baked powder finish. Paint must exceed 1,000 hour salt spray under ASTM B117 test method.

**Propeller** - Propeller shall be cast aluminum airfoil design with cast aluminum hub. The blade pitch shall be factory set and locked using set screws and roll pins. The hub shall be keyed and locked to the shaft utilizing two set screws or a taper lock bushing. Propeller shall be balanced in accordance with AMCA Standard 204-05, Balance Quality and Vibration Levels for Fans.

**Motor** - Motor shall be heavy duty type with permanently lubricated sealed bearings and furnished at the specified voltage, phase and enclosure.

**Product** - Fan shall be model AUD as manufactured by Loren Cook Company of Springfield, Missouri.



Loren Cook Company certifies that the AUD shown herein are licensed to bear the AMCA Seal. The ratings shown are based on tests and procedures performed in accordance with AMCA Publication 211 and comply with the requirements of the AMCA Certified Ratings Program.

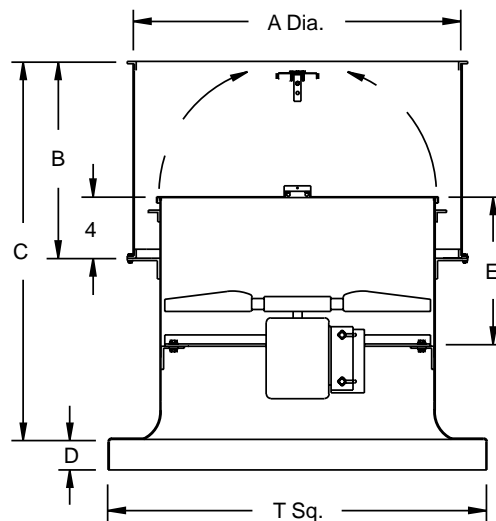


Type AUD is furnished standard with UL 705 and cUL 705 listing (Power Ventilator/ZACT) when furnished with factory supplied motor.

### AUD

Size	A Dia.	B	C	D	E	T Sq.	Max. Motor Frame	Approx. Ship. Wt. - lbs. Steel	Approx. Ship. Wt. - lbs. Alum.	Roof Opening Square*
24	31-1/4	19-1/8	48-3/8	3	14	36	145T	342	272	31-1/2
30	37-1/4	23-5/8	54-1/8	3	15	42	184T	445	345	37-1/2
36	43-1/4	25-5/8	61-1/8	3	17	48	256T	570	430	43-1/2
42	49-1/4	27-5/8	64-9/16	3	17	54	256T	671	510	49-1/2
48	55-1/4	31-1/4	70-13/16	3	17	60	256T	840	610	55-1/2

All dimensions in inches. \*Roof opening size for curbs supplied by Cook only. Shipping weight includes standard ODP motor.



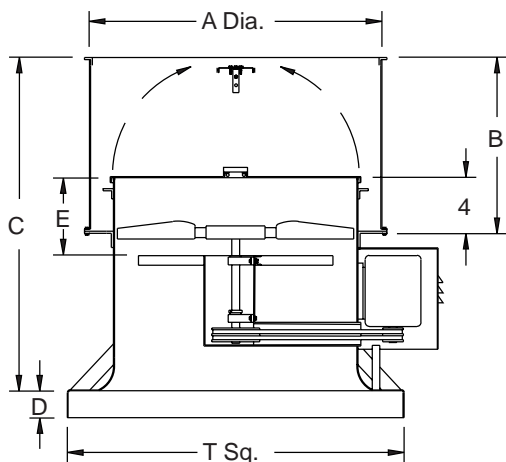
## Upblast Roof Fan Cast Aluminum Propeller Belt Drive



Loren Cook Company certifies that the AUB shown herein are licensed to bear the AMCA Seal. The ratings shown are based on tests and procedures performed in accordance with AMCA Publication 211 and comply with the requirements of the AMCA Certified Ratings Program.



Type AUB is furnished standard with UL 705 and cUL 705 listing (Power Ventilator/ZACT) when furnished with factory supplied motor.



**Description** - Fan shall be a belt driven upblast propeller roof fan.

**Certifications** - Fan shall be manufactured at an ISO 9001 certified facility. Fan shall be listed by Underwriters Laboratories (UL 705) and UL listed for Canada (cUL 705). Fan shall bear the AMCA Certified Ratings Seal for Air Performance.

**Construction** - The fan shall be of bolted and welded construction utilizing corrosion resistant fasteners. The motor and propeller shall be mounted on a minimum 10 gauge welded steel power assembly inside a minimum 14 gauge welded steel housing. The housing shall be continuously welded to a minimum 14 gauge steel base with integral venturi and continuously welded curb cap corners. Fan shall have hinged butterfly discharge dampers of aluminum or steel construction with a rain gutter to prevent rain infiltration. Dampers shall be protected by a continuously welded steel windband of minimum 18 gauge steel with minimum one inch flanges for maximum strength and rigidity. Unit shall bear an engraved aluminum nameplate and shall be shipped in ISTA Certified Transit Tested Packaging.

**Coating** - All steel fan components shall be Lorenized<sup>®</sup> with an electrostatically applied, baked polyester powder coating. Each component shall be subject to a five stage environmentally friendly wash system, followed by a minimum 2 mil thick baked powder finish. Paint must exceed 1,000 hour salt spray under ASTM B117 test method.

**Propeller** - Propeller shall be cast aluminum airfoil design with cast aluminum hub. The blade pitch shall be factory set and locked using set screws and roll pins. The hub shall be keyed and locked to the shaft utilizing two set screws or a taper lock bushing. Propeller shall be balanced in accordance with AMCA Standard 204-05, Balance Quality and Vibration Levels for Fans.

**Motor** - Motor shall be Nema design B with class B insulation rated for continuous duty and furnished at the specified voltage, phase and enclosure.

**Bearings** - Bearings shall be designed and tested specifically for use in air handling applications. Construction shall be heavy duty regreasable ball type in a cast iron housing selected for a minimum L50 life in excess of 200,000 hours at maximum cataloged operating speed.

**Belts and Drives** - Belts shall be oil and heat resistant, non-static type. Drives shall be precision machined cast iron type, keyed and securely attached to the wheel and motor shafts. Drives shall be sized for 150% of the installed motor horsepower. The variable pitch motor drive must be factory set to the specified fan RPM.

**Product** - Fan shall be model AUB as manufactured by Loren Cook Company of Springfield, Missouri.

### AUB

Size	A Dia.	B	C	D	E	T Sq.	Max. Motor Frame	Approx. Ship. Wt. - lbs. Steel	Approx. Ship. Wt. - lbs. Alum.	Roof Opening Square*
24	31-1/4	19-1/8	48-3/8	3	16-1/2	36	184T	335	280	31-1/2
30	37-1/4	23-5/8	54-1/8	3	13-13/16	42	254T	425	349	37-1/2
36	43-1/4	25-5/8	61-1/8	3	16-1/8	48	254T	510	378	43-1/2
42	49-1/4	27-5/8	64-9/16	3	16-1/8	54	254T	605	650	49-1/2
48	55-1/4	31-1/4	70-13/16	3	14-13/16	60	254T	730	750	55-1/2

All dimensions in inches. Shipping weights are less motor. \*Roof opening size for curbs supplied by Cook only.

**Description** - Fan shall be a belt driven upblast propeller roof fan.

**Certifications** - Fan shall be manufactured at an ISO 9001 certified facility. Fan shall be listed by Underwriters Laboratories (UL 705) and UL listed for Canada (cUL 705). Fan shall bear the AMCA Certified Ratings Seal for Air Performance.

**Construction** - The fan shall be of bolted and welded construction utilizing corrosion resistant fasteners. The bearings and drives shall be mounted on a minimum 10 gauge welded steel power assembly. The motor shall be mounted to a minimum 14 gauge steel motor base welded to the outside of the minimum 14 gauge welded steel fan housing. Minimum 10 gauge adjustable motor plate shall utilize threaded studs for positive belt tensioning. The motor shall be protected by a minimum 16 gauge weather cover. The housing shall be continuously welded to a minimum 14 gauge steel base with integral venturi and continuously welded curb cap corners. Fan shall have hinged butterfly discharge dampers of aluminum or steel construction with a rain gutter to prevent rain infiltration. The damper assembly shall be protected by a continuously welded steel windband of minimum 18 gauge steel with minimum one inch flanges for maximum strength and rigidity. Unit shall bear an engraved aluminum nameplate and shall be shipped in ISTA Certified Transit Tested Packaging.

**Coating** - All steel fan components shall be Lorenized<sup>®</sup> with an electrostatically applied, baked polyester powder coating. Each component shall be subject to a five stage environmentally friendly wash system, followed by a minimum 2 mil thick baked powder finish. Paint must exceed 1,000 hour salt spray under ASTM B117 test method.

**Propeller** - Propeller shall be cast aluminum airfoil design with cast aluminum hub. The blade pitch shall be factory set and locked using set screws and roll pins. The hub shall be keyed and locked to the shaft utilizing two set screws or a taper lock bushing. Propeller shall be balanced in accordance with AMCA Standard 204-05, Balance Quality and Vibration Levels for Fans.

**Motor** - Motor shall be Nema design B with class B insulation rated for continuous duty and furnished at the specified voltage, phase and enclosure.

**Bearings** - Bearings shall be designed and tested specifically for use in air handling applications. Construction shall be heavy duty regreasable ball type in a cast iron housing selected for a minimum L50 life in excess of 200,000 hours at maximum cataloged operating speed.

**Belts and Drives** - Belts shall be oil and heat resistant, non-static type. Drives shall be precision machined cast iron type, keyed and securely attached to the wheel and motor shafts. Drives shall be sized for 150% of the installed motor horsepower. The variable pitch motor drive must be factory set to the specified fan RPM.

**Product** - Fan shall be model EUB as manufactured by Loren Cook Company of Springfield, Missouri.

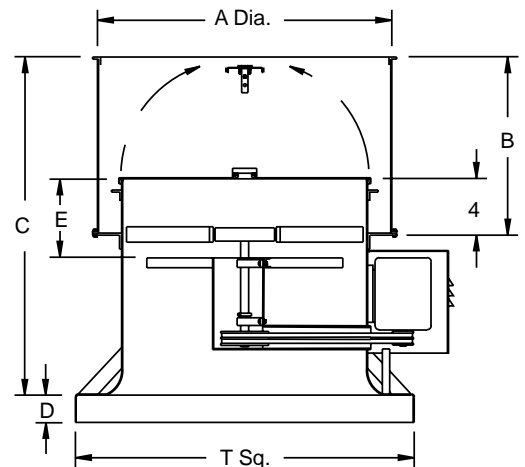
## Upblast Roof Fan Extruded Aluminum Propeller Belt Drive



Loren Cook Company certifies that the EUB shown herein are licensed to bear the AMCA Seal. The ratings shown are based on tests and procedures performed in accordance with AMCA Publication 211 and comply with the requirements of the AMCA Certified Ratings Program.



Type EUB is furnished standard with UL 705 and cUL 705 listing (Power Ventilator/ZACT) when furnished with factory supplied motor.



### EUB

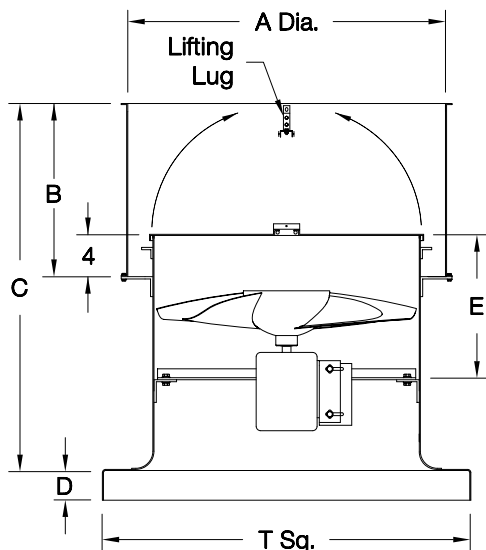
Size	A Dia.	B	C	D	E	T Sq.	Maximum Motor Frame	Approx. Ship. Wt. - lbs. Steel	Approx. Ship. Wt. - lbs. Alum.	Roof Opening Square*
24	31-1/4	19-1/8	48-3/8	3	16-1/2	36	184T	335	280	31-1/2
30	37-1/4	23-5/8	54-1/8	3	13-13/16	42	254T	425	349	37-1/2
36	43-1/4	25-5/8	61-1/8	3	16-1/8	48	254T	510	378	43-1/2
42	49-1/4	27-5/8	64-9/16	3	16-1/8	54	254T	650	435	49-1/2
48	55-1/4	31-1/4	70-13/16	3	14-13/16	60	284T	750	490	55-1/2
54	61-1/4	35-1/4	77	3	17-1/4	66	284T	950	-	61-1/2
60	67-1/4	36-1/2	78-1/4	3	15-1/8	72	284T	1200	-	67-1/2
72	79	44	92-3/4	3	17-1/8	84	284T	1510	-	79-1/2

All dimensions in inches. Shipping weights are less motor. \* Roof opening size for curbs supplied by Cook only.

**Upblast Roof Fan**  
**TRITON® Steel Propeller**  
**Direct Drive**



Type TUD is furnished standard with UL 705 and cUL 705 listing (Power Ventilator/ZACT) when furnished with factory supplied motor.



**Description** - Fan shall be a direct drive upblast propeller roof fan.  
**Certifications** - Fan shall be manufactured at an ISO 9001 certified facility. Fan shall be listed by Underwriters Laboratories (UL 705) and UL listed for Canada (cUL 705).

**Construction** - The fan shall be of bolted and welded construction utilizing corrosion resistant fasteners. The motor and propeller shall be mounted on a minimum 10 gauge welded steel power assembly inside a minimum 14 gauge welded steel housing. The housing shall be continuously welded to a minimum 14 gauge steel base with integral venturi and continuously welded curb cap corners. Fan shall have hinged butterfly discharge dampers of aluminum or steel construction with a rain gutter to prevent rain infiltration. Dampers shall be protected by a continuously welded steel windband of minimum 18 gauge steel with minimum one inch flanges for maximum strength and rigidity. Unit shall bear an engraved aluminum nameplate and shall be shipped in ISTA Certified Transit Tested Packaging.

**Coating** - All steel fan components shall be Lorenized® with an electrostatically applied, baked polyester powder coating. Each component shall be subject to a five stage environmentally friendly wash system, followed by a minimum 2 mil thick baked powder finish. Paint must exceed 1,000 hour salt spray under ASTM B117 test method.

**Propeller** - Propeller shall be a high-efficiency fabricated steel design with blades securely fastened to a minimum 7 gauge steel hub. The hub shall be keyed and locked to the motor shaft utilizing two setscrews or a taperlock bushing. Propeller shall be balanced in accordance with AMCA Standard 204-05, Balance Quality and Vibration Levels for Fans.

**Motor** - Motor shall be Nema design B with class B insulation rated for continuous duty and furnished at the specified voltage, phase and enclosure.

**Product** - Fan shall be model TUD as manufactured by Loren Cook Company of Springfield, Missouri.

**TUD**

Size	A Dia.	B	C	D	E	T Sq.	Max. Motor Frame	Approx. Ship. Wt. - lbs.	Roof Opening Square*
20	20-5/8	18-1/8	47-3/4	2	14	32	145T	310	27-1/2
24	31-1/4	19-1/8	48-3/8	3	14	36	145T	380	31-1/2
30	37-1/4	23-5/8	54-1/8	3	16-1/4	42	184T	470	37-1/2
36	43-1/4	25-5/8	61-1/8	3	17	48	256T	610	43-1/2
42	49-1/4	27-7/8	64-9/16	3	18-1/8	54	256T	730	49-1/2
48	55-1/4	31-1/4	70-13/16	3	20-9/16	60	256T	1040	55-1/2
54	60-3/4	35-1/4	79-1/4	3	19-1/8	66	256T	1440	61-1/2
60	72-3/4	36-1/2	83-3/4	3	23-1/4	72	256T	1640	67-1/2

All dimensions in inches. Shipping weight includes standard ODP motor. \*Roof opening size for curbs supplied by Cook only.

## Upblast Roof Fan TRITON® Steel Propeller Belt Drive

**Description** - The fan shall be a belt driven upblast propeller roof fan.

**Certifications** - Fan shall be manufactured at an ISO 9001 certified facility. Fan shall be listed by Underwriters Laboratories (UL 705) and UL listed for Canada (cUL 705). Fan shall bear the AMCA Certified Ratings Seal for Air Performance.

**Construction** - The fan shall be of bolted and welded construction utilizing corrosion resistant fasteners. The bearings and drives shall be mounted on a minimum 10 gauge welded steel power assembly. The motor shall be mounted to a minimum 14 gauge steel motor base welded to the outside of the minimum 14 gauge welded steel fan housing. Minimum 10 gauge adjustable motor plate shall utilize threaded studs for positive belt tensioning. The motor shall be protected by a minimum 16 gauge weather cover. The fan housing shall be continuously welded to a fan base with integral venturi and continuously welded curb cap corners. Fan shall have hinged butterfly discharge dampers of aluminum or steel construction with a rain gutter to prevent rain infiltration. The damper assembly shall be protected by a continuously welded steel windband of minimum 18 gauge steel with minimum one inch flanges for maximum strength and rigidity. Unit shall bear an engraved aluminum nameplate and shall be shipped in ISTA Certified Transit Tested Packaging.

**Coating** - All steel fan components shall be Lorenized® with an electrostatically applied, baked polyester powder coating. Each component shall be subject to a five stage environmentally friendly wash system, followed by a minimum 2 mil thick baked powder finish. Paint must exceed 1,000 hour salt spray under ASTM B117 test method.

**Propeller** - Propeller shall be a high-efficiency fabricated steel design with blades securely fastened to a minimum 7 gauge steel hub. The hub shall be keyed and locked to the fan shaft utilizing two setscrews or a taperlock bushing. Propeller shall be balanced in accordance with AMCA Standard 204-05, Balance Quality and Vibration Levels for Fans.

**Motor** - Motor shall be Nema design B with class B insulation rated for continuous duty and furnished at the specified voltage, phase and enclosure.

**Bearings** - Bearings shall be designed and tested specifically for use in air handling applications. Construction shall be heavy duty regreasable ball type in a cast iron housing selected for a minimum L50 life in excess of 200,000 hours at maximum cataloged operating speed.

**Belts and Drives** - Belts shall be oil and heat resistant, non-static type. Drives shall be precision machined cast iron type, keyed and securely attached to the wheel and motor shafts. Drives shall be sized for 150% of the installed motor horsepower. The variable pitch motor drive must be factory set to the specified fan RPM.

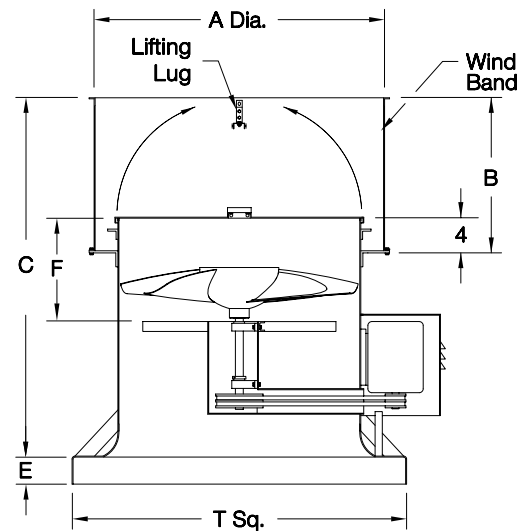
**Product** - Fan shall be model TUB as manufactured by Loren Cook Company of Springfield, Missouri.



Loren Cook Company certifies that the TUB shown herein is licensed to bear the AMCA Seal. The ratings shown are based on tests and procedures performed in accordance with AMCA Publication 211 and comply with the requirements of the AMCA Certified Ratings Program.



Type TUB is furnished standard with UL 705 and cUL 705 listing (Power Ventilator/ZACT) when furnished with factory supplied motor.



### TUB Dimension Data

Size	A Dia.	B	C	D	F	T Sq.	Maximum Motor Frame	Shipping Weight	Roof Opening Sq.*
20	27-1/4	18-1/8	47-3/4	2	16-13/16	32	184T	330	27-1/2
24	31-1/4	19-1/8	48-3/8	3	16-13/16	36	184T	380	31-1/2
30	37-1/4	23-5/8	54-1/8	3	16-1/16	42	254T	480	37-1/2
36	43-1/4	25-5/8	61-1/8	3	16-5/16	48	254T	570	43-1/2
42	49-1/4	27-7/8	64-9/16	3	17-7/16	54	254T	670	49-1/2
48	55-1/4	31-1/4	70-13/16	3	18-7/8	60	284T	780	55-1/2
54	61-1/4	35-1/4	79-1/4	3	20-7/8	66	284T	1030	61-1/2
60	67-1/4	36-1/2	83-3/4	3	20-7/8	72	284T	1260	67-1/2
72	79	44	98-13/16	3	22-15/16	84	284T	1620	79-1/2

All dimensions in inches. Shipping weights are less motor. \*Roof opening size for curbs supplied by Cook only.

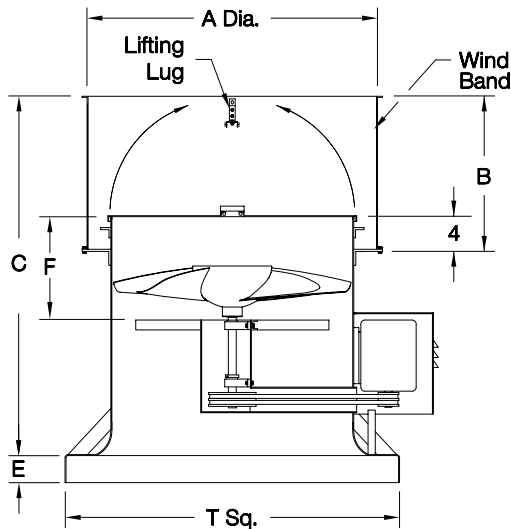
**Upblast Roof Fan**  
**TRITON® Steel Propeller**  
**Belt Drive**



Loren Cook Company certifies that the TUBSC shown herein is licensed to bear the AMCA Seal. The ratings shown are based on tests and procedures performed in accordance with AMCA Publication 211 and comply with the requirements of the AMCA Certified Ratings Program.



Type TUBSC is available with UL and cUL listing "Power Ventilator for Smoke Control Systems" when furnished with factory supplied motor.



**Description** - The fan shall be a belt driven upblast propeller roof fan.

**Certifications** - Fan shall be manufactured at an ISO 9001 certified facility. Fan shall be listed by Underwriters Laboratories as a "Power Ventilator for Smoke Control Systems" and UL listed for Canada (cUL 705). Fan shall bear the AMCA Certified Ratings Seal for Air Performance.

**Construction** - The fan shall be of bolted and welded construction utilizing corrosion resistant fasteners. The bearings and drives shall be mounted on a minimum 10 gauge welded steel power assembly. The motor shall be mounted to a minimum 12 gauge steel motor base welded to the outside of the minimum 14 gauge welded steel fan housing. Minimum 10 gauge adjustable motor plate shall utilize threaded studs for positive belt tensioning. The motor shall be protected by a minimum 16 gauge weather cover. The fan housing shall be continuously welded to a fan base with integral venturi and continuously welded curb cap corners. Fan shall have hinged butterfly discharge dampers of galvanized steel construction with a rain gutter to prevent rain infiltration. The damper assembly shall be protected by a continuously welded steel windband of minimum 18 gauge steel with minimum one inch flanges for maximum strength and rigidity. Damper assembly shall be furnished with fusible links that melt at 165°F allowing dampers to open automatically when power is off. Dampers shall meet UL 793 show load testing of butterfly dampers (10 lb/sqft). Unit shall be tested to operate at 500°F for 4 hours per IRI requirements and operate at 1000°F for 15 minutes per SBCCI requirements. Unit shall bear an engraved aluminum nameplate and shall be shipped in ISTA Certified Transit Tested Packaging.

**Coating** - All steel fan components shall be Lorenized® with an electrostatically applied, baked polyester powder coating. Each component shall be subject to a five stage environmentally friendly wash system, followed by a minimum 2 mil thick baked powder finish. Paint must exceed 1,000 hour salt spray under ASTM B117 test method.

**Propeller** - Propeller shall be of fabricated steel design with blades securely fastened to a minimum 7 gauge steel hub. The hub shall be keyed and securely attached to the fan shaft utilizing two setscrews or a taperlock bushing. Propeller shall be balanced in accordance with AMCA Standard 204-96, Balance Quality and Vibration Levels for Fans.

**Motor** - Motor shall be heavy duty type with permanently lubricated sealed ball bearings and furnished at the specified voltage, phase and enclosure.

**Bearings** - Bearings shall be designed and tested specifically for use in air handling applications. Construction shall be heavy duty regreasable ball type in a cast iron housing.

**Belts and Drives** - Belts shall be oil and heat resistant, non-static type. Drives shall be precision machined cast iron type, keyed and securely attached to the wheel and motor shafts. Drives shall be sized for 150% of the installed motor horsepower. The variable pitch motor drive must be factory set to the specified fan RPM.

**Product** - Fan shall be model TUBSC as manufactured by Loren Cook Company of Springfield, Missouri.

**TUBSC Dimension Data**

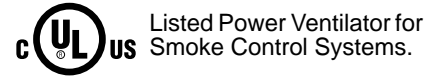
Size	A Dia.	B	C	D	F	T Sq.	Maximum Motor Frame	Shipping Weight	Roof Opening Sq.*
20	27-1/4	18-1/8	47-3/4	2	16-13/16	32	184T	330	27-1/2
24	31-1/4	19-1/8	48-3/8	3	16-13/16	36	184T	380	31-1/2
30	37-1/4	23-5/8	54-1/8	3	16-1/16	42	254T	480	37-1/2
36	43-1/4	25-5/8	61-1/8	3	16-5/16	48	254T	570	43-1/2
42	49-1/4	27-7/8	64-9/16	3	17-7/16	54	254T	670	49-1/2
48	55-1/4	31-1/4	70-13/16	3	18-7/8	60	284T	780	55-1/2
54	61-1/4	35-1/4	79-1/4	3	20-7/8	66	284T	1030	61-1/2
60	67-1/4	36-1/2	83-3/4	3	20-7/8	72	284T	1260	67-1/2
72	79	44	98-13/16	3	22-15/16	84	284T	1620	79-1/2

All dimensions in inches. Shipping weights are less motor. \*Roof opening size for curbs supplied by Cook only.

The UL listing "Power Ventilator for Smoke Control Systems" is a test procedure and category which was initiated by Loren Cook Company and developed in a joint effort with UL in 1990. Several different sources were used in the definition of the test procedure. These sources include UL Standards 705, 762, 793, Southern Building Code Congress International (SBCCI) Standard Fire Prevention Code/1988, and Industrial Risk Insurers (IRI) Document E2.

### Requirements for UL listing "Power Ventilator for Smoke Control Systems"

- The unit must withstand 500°F airstream temperature for a minimum of four hours (IRI) and withstand 1000°F for a minimum of 15 minutes (SBCCI).
- The unit must be listed under UL 705.



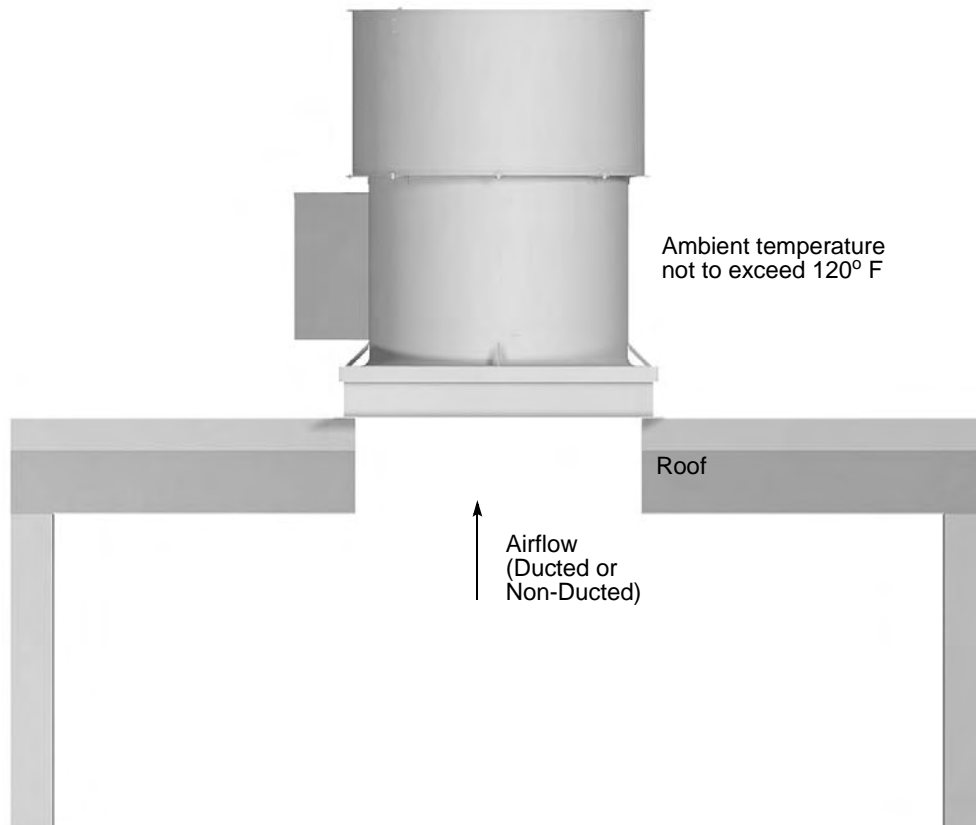
## TUBSC

### Smoke Control Ventilator



- High Temperature Upblast Propeller Roof Fan listed by UL as "Power Ventilator for Smoke Control Systems" at 500° F for 4 hours, and at 1,000° F for 15 minutes.
- TUBSC available in 9 belt drive sizes. Capacities range from 3,300 to 92,000 CFM, with static pressures from 0 to 1.25 inches.

### UL Power Ventilator for Smoke Control Typical Application





# ACCESSORIES

## Disconnect Switches

**NEMA 3** - Exterior mount, rain-tight.

**NEMA 4** - Watertight and dust-tight.

**NEMA 7 and NEMA 9** - Lockable, explosion proof.

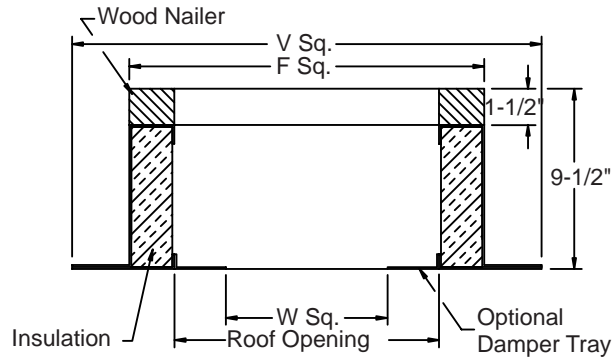


**NEMA 4**

**NEMA 3**

**NEMA 7  
NEMA 9**

## Roof Curb

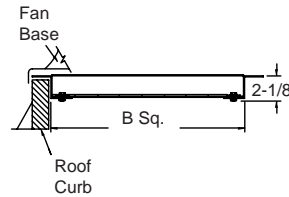
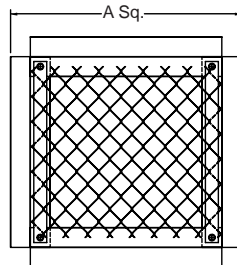
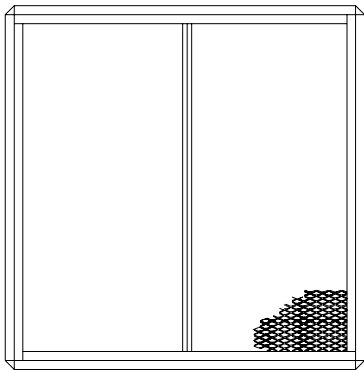


Unit	Cat. No.	F Sq.	V Sq.	W Sq.	Roof Opening
20	RCG-30	30-1/2	34-1/2	23-3/4	27-1/2
24	RCG-34	34-1/2	38-1/2	27-3/4	31-1/2
30	RCG-40	40-1/2	44-1/2	33-3/4	37-1/2
36	RCG-46	46-1/2	50-1/2	39-3/4	43-1/2
42	RCG-52	52-1/2	56-1/2	45-3/4	49-1/2
48	RCG-58	58-1/2	62-1/2	51-3/4	55-1/2
54	RCG-64	64-1/2	68-1/2	57-3/4	61-1/2
60	RCG-70	70-1/2	74-1/2	63-3/4	67-1/2
72	RCG-82	82-1/2	86-1/2	75-3/4	79-1/2

All dimensions in inches.

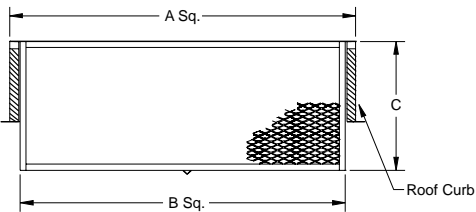
## Inlet Basket Guard (LTU, LXU, LEU)

## Inlet Basket Guard (TUD, TUB, AUD, AUB, EUB)



Unit	A	B
24	35-5/8	29
30	41-5/8	35
36	47-5/8	41
42	53-5/8	47
48	59-5/8	53
54	65-5/8	59
60	71-5/8	65
72	83-5/8	77

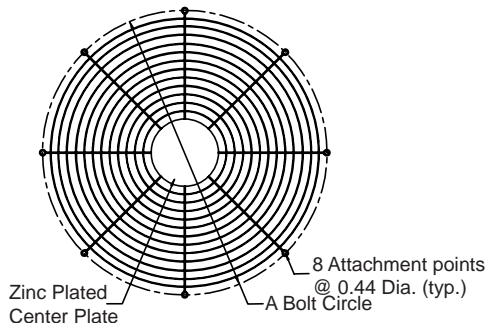
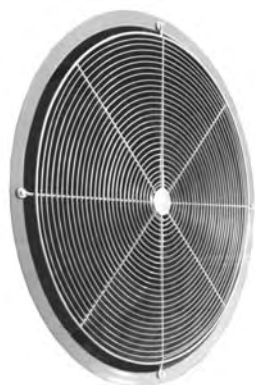
All dimensions in inches.



Unit	A	B	C
20	29-3/16	24-3/16	20-5/32
24	35-3/16	30-3/16	20-5/32
30	41-3/16	36-3/16	20-5/32
36	47-3/16	42-3/16	20-5/32
42	53-3/16	48-3/16	25-5/32
48	59-3/16	54-3/16	27-5/32
54	65-3/16	60-3/16	27-5/32
60	71-3/16	66-3/16	27-5/32

All dimensions in inches.

**Discharge Guard**



Unit	A	Finish
20	28-1/2	Zinc Plate
24	32-1/2	Zinc Plate
30	38-1/2	Zinc Plate
36	44-1/2	Zinc Plate
42	50-1/2	Zinc Plate
48	56-1/2	Zinc Plate
54	63	Zinc Plate
60	69	Zinc Plate
72	81	Zinc Plate

All dimensions in inches.

**Additional Accessories**

- Anti Condensate Coating
- (Non UL) Fuse Link Damper 165°F (TUB only)
- Shaft Cooler (TUB only)
- Aluminum Damper Door (TUB only)
- Galvanized Damper Door
- Vented Bearing Cover (TUB only)

**Drip Pans**

Drip pans are available for field installation below the fan to collect moisture that may develop due to condensation or that may enter the fan while operating during periods of severe weather.

Drip pans are 4" larger than the recommended roof opening and have a 1" lip to contain the collected moisture until it evaporates.

**High Temperature Accessories - TUB**

**Continuous Operation at 200° to 500° F**

- Shaft Cooler
- High-temp Coating
- Vented Bearing Cover
- High-temp Bearings (Above 300° F)

**Non-UL Smoke Control**

**(4 hours at 500° F or 15 minutes at 1000° F)**

- Shaft Cooler
- Fuse Link Damper (non-UL)
- Vented Bearing Cover

**Minimum CFM to Open Dampers**

Unit	Damper Material	
	Aluminum	Steel
20	3290	4350
24	3950	5220
30	6050	7130
36	7620	11000
42	11050	13550
48	12820	16420
54	16500	18650
60	19120	22740
72	27150	32500

**Standard Coatings**

**Lorenized®** is an electrostatically applied, baked polyester powder coating. Each component shall be subject to a five stage environmentally friendly wash system, followed by a minimum 2 mil thick baked powder finish. Coating must exceed 1,000 hour salt spray under ASTM B117 test method.

**Optional Coatings**

**Cook Epoxy Powder** is an electrostatically applied, baked epoxy powder coating. Final coating thickness is 2.5 – 3.5 mils. For outdoor applications an optional UV resistant topcoat is recommended to prevent cosmetic chalking of the coating.

**Cook High Temp Easy Clean Powder** is an electrostatically applied, baked modified epoxy silicone powder producing a high temperature (500°F Max) "non-stick" coating. Final coating thickness is 1.3 - 1.7 mils.

**Cook Phenolic Epoxy Powder** is an electrostatically applied, baked phenolic epoxy powder coating. Final coating thickness is 2 – 4 mils. For outdoor applications an optional UV resistant topcoat is required to prevent deterioration of the coating.

**Air Dry Phenolic (Heresite VR-504)** is a conventional spray applied phenolic resin coating. Final coating thickness is 4 – 6 mils. For outdoor applications an optional UV resistant topcoat (Heresite UC-5500) is required to prevent deterioration of the coating.

Refer to the corrosion resistance guide in the Compute-A-Fan software for a listing of the coatings above and their resistance to a variety of chemicals. Additional special coatings are available.

# 20-24 LXUL/LXUM Data

## LXUL/LXUM

Fan Size	Model Number	HP	Max. BHP	RPM	Tip Speed	Sones*	CFM at Static Pressure												
							0.000	0.050	0.100	0.125	0.150	0.200	0.250	0.300	0.375	0.500	0.625		
20	20 LXUL	1/6	0.16	745	3998	9.3	3305												
			0.16	755	4052	9.5	3349												
		1/4	0.18	783	4202	10.1	3473												
			0.20	811	4352	10.8	3598												
			0.22	839	4502	11.4	3722	3367											
			0.25	868	4658	12.2	3850	3505											
		1/3	0.27	899	4824	13.0	3988	3653	3356										
			0.30	930	4991	14.0	4125	3801	3512	3367									
			0.33	960	5152	14.9	4259	3943	3661	3523	3372								
			0.37	996	5345	15.8	4418	4113	3838	3706	3567								
		1/2	0.42	1032	5538	16.6	4578	4282	4014	3888	3757	3442							
			0.46	1068	5731	17.4	4738	4451	4189	4067	3943	3663							
			0.51	1102	5914	18.1	4888	4611	4354	4235	4115	3857							
			0.57	1144	6139	19.2	5075	4807	4557	4440	4326	4087	3781						
		3/4	0.63	1186	6365	20	5261	5002	4758	4645	4534	4309	4048						
			0.70	1228	6590	21	5447	5197	4960	4848	4741	4526	4290						
			0.77	1268	6805	22	5625	5382	5150	5041	4936	4729	4510	4241					
			0.18	925	4964	12.5	3391												
	20 LXUM	1/4	0.20	959	5146	13.3	3515	3313											
			0.22	993	5329	14.1	3640	3445											
			0.25	1025	5501	14.8	3757	3569	3354										
			0.27	1052	5645	15.4	3856	3673	3467	3344									
		1/3	0.29	1079	5790	16.0	3955	3777	3579	3462	3335								
			0.31	1106	5935	16.6	4054	3880	3690	3579	3456								
			0.33	1133	6080	17.3	4153	3984	3800	3694	3577	3341							
			0.37	1175	6306	18.3	4307	4144	3969	3872	3762	3529	3327						
		1/2	0.41	1217	6531	19.3	4461	4304	4137	4045	3944	3720	3514	3324					
			0.46	1259	6756	20	4615	4463	4304	4217	4123	3910	3700	3517					
			0.51	1301	6982	22	4769	4622	4469	4387	4299	4098	3889	3706	3419				
			0.55	1341	7197	23	4915	4773	4625	4547	4464	4275	4070	3884	3622				
		3/4	0.60	1381	7411	24	5062	4924	4781	4706	4627	4449	4251	4062	3811				
			0.66	1421	7626	25	5209	5075	4937	4865	4789	4622	4431	4242	3993				
			0.71	1460	7835	26	5352	5221	5088	5018	4945	4787	4606	4418	4168	3696			
			0.17	600	3848	8.9	4672	4112											
		24	24 LXUL	1/4	0.21	637	4085	9.9	4960	4427									
					0.24	674	4323	10.8	5249	4739	4252	3951							
1/3	0.27			692	4438	11.3	5389	4890	4424	4137									
	0.29			710	4554	11.8	5529	5040	4594	4321	4035								
	0.31			728	4669	12.3	5669	5190	4758	4503	4221								
	0.33			745	4778	12.8	5801	5332	4912	4671	4397								
1/2	0.37			773	4958	13.7	6019	5564	5160	4940	4685	4175							
	0.41			801	5137	14.5	6238	5796	5405	5202	4968	4466							
	0.46			829	5317	15.4	6456	6027	5647	5456	5242	4754	4277						
	0.51			856	5490	16.2	6666	6249	5879	5696	5499	5033	4581						
3/4	0.56			888	5695	17.2	6915	6512	6151	5977	5794	5363	4916						
	0.63			920	5900	18.4	7164	6774	6422	6255	6083	5687	5244	4824					
	0.69			952	6106	19.5	7413	7035	6692	6530	6366	6002	5575	5169					
	0.77			985	6317	21	7670	7304	6968	6811	6654	6317	5916	5511					
1	0.83			1010	6478	21	7865	7508	7177	7023	6871	6551	6171	5767	5176				
	0.89			1035	6638	22	8060	7710	7386	7234	7086	6778	6422	6025	5464				
	0.96			1060	6798	23	8254	7913	7593	7445	7299	7003	6668	6284	5734				
	1.03			1086	6965	24	8457	8123	7809	7663	7521	7234	6919	6552	6004				
24 LXUM	1/6		0.14	750	4810	11.9	4032												
			0.16	793	5086	13.1	4263												
	1/4		0.18	823	5278	14.0	4424	4034											
			0.20	853	5471	14.9	4586	4208											
			0.22	883	5663	15.9	4747	4381	4044										
			0.25	911	5843	16.8	4897	4542	4213	4056									
	1/3		0.27	935	5997	17.6	5026	4680	4357	4204	4053								
			0.29	959	6151	18.4	5155	4817	4500	4350	4203								
			0.31	983	6305	19.0	5284	4954	4643	4496	4352	4064							
			0.33	1008	6465	19.7	5419	5096	4791	4647	4505	4226							
	1/2		0.37	1045	6702	21	5618	5306	5010	4869	4732	4462	4186						
			0.41	1082	6940	22	5817	5515	5227	5090	4956	4695	4432	4143					
			0.46	1119	7177	23	6016	5724	5443	5309	5179	4925	4673	4408					
			0.51	1157	7421	24	6220	5937	5665	5534	5407	5160	4916	4668	4221				
	3/4		0.56	1201	7703	26	6456	6184	5920	5793	5669	5429	5194	4958	4568				
			0.63	1245	7985	27	6693	6430	6174	6050	5930	5696	5469	5243	4886	4089			
			0.70	1289	8267	29	6929	6675	6427	6307	6189	5962	5741	5522	5188	4472			
			0.77	1331	8537	30	7155	6909	6668	6550	6436	6214	5998	5786	5467	4833	4047		

Performance shown is for Installation Type A: free inlet, free outlet. Power rating (BHP) does not include drive losses. Performance ratings do not include the effects of appurtenances in the airstream. The sound ratings shown are loudness values in fan sones at 5 ft. (1.5 m) in a hemispherical free field calculated per AMCA Standard 301. Values shown are for Installation Type A: free inlet fan sone levels. \*Sone values are for maximum cataloged CFM at specified RPM. **Shaded area denotes CFM where aluminum dampers are required.**



# 42-48 LXUL/LXUM Data

## LXUL/LXUM

Fan Size	Model Number	HP	Max. BHP	RPM	Tip Speed	Sones*	CFM at Static Pressure													
							0.000	0.050	0.100	0.125	0.150	0.200	0.250	0.300	0.375	0.500	0.625			
42	42 LXUL	1/3	0.28	265	2948	7.5	11229													
			0.33	279	3104	8.3	11822													
		1/2	0.38	293	3260	9.2	12416													
			0.44	307	3415	10.1	13009	11299												
		3/4	0.50	320	3560	11.1	13560	11924												
			0.57	336	3738	12.3	14238	12684												
			0.66	352	3916	13.5	14916	13436	11822											
		1	0.76	369	4105	14.8	15636	14227	12724	11820										
			0.85	382	4250	15.8	16187	14827	13394	12579										
			0.94	395	4394	16.8	16738	15424	14051	13296										
			1.03	407	4528	17.8	17246	15972	14650	13936	13114									
		1-1/2	1.18	427	4751	19.3	18094	16880	15631	14971	14256									
			1.36	447	4973	21	18941	17783	16597	15979	15326									
		2	1.55	467	5196	22	19789	18680	17551	16968	16361	14966								
			1.67	479	5329	23	20297	19217	18118	17554	16970	15674								
			1.80	491	5463	24	20806	19752	18682	18135	17571	16349								
			1.93	503	5596	24	21314	20286	19244	18712	18166	17000								
			2.08	515	5730	25	21823	20819	19802	19284	18756	17637	16285							
	42 LXUM	1/2	0.30	324	3604	11.3	11095													
			0.50	385	4283	16.5	13184	11928												
		3/4	0.62	414	4606	19.4	14177	13009	11833	11231										
			0.77	443	4929	22	15170	14079	12983	12428	11859									
		1	0.89	465	5173	23	15924	14884	13842	13316	12781	11658								
			1.02	488	5429	24	16711	15721	14728	14229	13725	12682	11520							
		1-1/2	1.18	512	5696	26	17533	16589	15644	15169	14691	13714	12673							
			1.36	536	5963	27	18355	17453	16551	16098	15643	14720	13756	12692						
		2	1.56	561	6241	29	19211	18350	17487	17055	16622	15746	14846	13889						
			1.72	580	6453	30	19862	19029	18195	17777	17359	16515	15653	14751						
			1.89	599	6664	31	20512	19706	18898	18494	18089	17275	16446	15590	14177					
		3	2.08	618	6876	33	21163	20381	19599	19207	18815	18027	17229	16410	15099					
			2.39	648	7209	36	22190	21445	20698	20325	19951	19202	18446	17676	16472					
			2.74	678	7543	40	23218	22505	21792	21435	21078	20363	19643	18915	17790	15655				
		5	3.14	709	7888	44	24279	23598	22916	22575	22233	21550	20864	20172	19114	17217				
			3.18	712	7922	45	24382	23703	23024	22685	22345	21664	20981	20293	19240	17360				
			3.22	715	7955	45	24485	23809	23133	22795	22456	21779	21099	20413	19366	17500				
			3.26	718	7988	46	24588	23914	23241	22904	22567	21893	21216	20533	19492	17640				
	48	48 LXUL	1/2	0.23	210	2666	5.9	13109												
				0.50	271	3440	9.2	16917	14688											
			3/4	0.61	291	3694	10.4	18166	16085	13240										
				0.76	312	3961	11.7	19477	17528	15269	13596									
			1	0.89	328	4164	12.9	20476	18616	16666	15052	13637								
				1.02	344	4367	14.0	21474	19697	17918	16611	15090								
1-1/2			1.18	361	4583	15.2	22536	20839	19178	18151	16650									
			1.35	378	4799	16.5	23597	21974	20400	19529	18308	15674								
2			1.55	395	5015	17.8	24658	23102	21598	20814	19845	17229								
			1.72	409	5193	18.9	25532	24029	22572	21833	20992	18485								
			1.90	423	5370	19.9	26406	24951	23539	22835	22072	19827	17563							
3			2.07	436	5536	21	27217	25805	24430	23754	23041	21094	18763							
			2.40	457	5802	22	28528	27180	25862	25217	24561	22991	20641							
			2.74	478	6069	24	29839	28549	27284	26665	26048	24691	22666	20588						
5			3.13	500	6348	26	31213	29979	28764	28169	27581	26354	24749	22552						
			3.29	508	6450	26	31712	30498	29301	28714	28135	26938	25455	23305						
			3.45	516	6551	27	32212	31016	29836	29258	28687	27519	26131	24082	21297					
48 LXUM			1/3	0.23	250	3174	7.2	12925												
		0.33		281	3567	8.8	14527													
		1/2	0.40	301	3821	9.9	15561	13350												
			0.50	322	4088	11.2	16647	14593												
		3/4	0.62	346	4393	12.8	17888	15983	13792											
			0.76	371	4710	14.5	19180	17408	15486	14267	12825									
		1	0.85	384	4875	15.4	19852	18142	16322	15216	13907									
			0.94	397	5040	16.4	20524	18871	17137	16127	14918									
			1.02	409	5193	17.3	21145	19541	17873	16936	15821									
		1-1/2	1.18	429	5447	18.7	22179	20651	19079	18228	17258	14863								
			1.35	449	5701	20	23213	21754	20264	19476	18615	16498								
		2	1.55	470	5967	22	24298	22905	21489	20754	19971	18100	15664							
			1.72	486	6170	23	25125	23779	22413	21710	20975	19267	17164							
			1.89	502	6374	24	25953	24649	23330	22656	21955	20388	18445							
		3	2.08	518	6577	25	26780	25517	24241	23591	22923	21465	19674	17502						
			2.39	543	6894	27	28072	26868	25653	25037	24412	23079	21515	19663						
			2.74	568	7212	29	29365	28214	27054	26468	25875	24639	23252	21595						
					3.13	594	7542	31	30709	29608	28501	27943	27380	26222	24966	23509	20917			

Performance shown is for Installation Type A: free inlet, free outlet. Power rating (BHP) does not include drive losses. Performance ratings do not include the effects of appurtenances in the airstream. The sound ratings shown are loudness values in fan sones at 5 ft. (1.5 m) in a hemispherical free field calculated per AMCA Standard 301. Values shown are for Installation Type A: free inlet fan sone levels. \*Sone values are for maximum cataloged CFM at specified RPM. **Shaded area denotes CFM where aluminum dampers are required.**

LXUL/LXUM

Fan Size	Model Number	HP	Max. BHP	RPM	Tip Speed	Sones*	CFM at Static Pressure															
							0.000	0.050	0.100	0.125	0.150	0.200	0.250	0.300	0.375	0.500	0.625					
54	54 LXUL	1/2	0.30	185	2615	5.7	16669															
			0.48	218	3081	7.4	19642															
			0.55	229	3237	8.1	20633	17158														
		3/4	0.67	240	3392	8.7	21624	18312														
			0.75	251	3548	9.5	22615	19442														
			0.84	260	3675	10.3	23426	20354	16891													
		1	0.94	269	3802	11.1	24237	21257	17971													
			1.02	277	3916	11.8	24958	22055	18938	17271												
			1.19	291	4113	13.1	26219	23439	20607	18921	17413											
		1-1/2	1.36	305	4311	14.4	27481	24814	22210	20605	19104											
			1.52	318	4495	15.6	28652	26081	23636	22170	20636											
			1.71	329	4651	16.6	29643	27149	24807	23465	21954	19192										
		2	1.89	340	4806	17.6	30634	28214	25958	24719	23284	20597										
			2.05	350	4948	18.3	31535	29178	26986	25825	24482	21801										
			2.28	363	5131	19.1	32706	30427	28311	27226	26006	23334	20777									
	3	2.56	376	5315	20	33878	31673	29619	28592	27477	24881	22519										
		2.82	389	5499	21	35049	32914	30918	29935	28897	26451	24099										
		3.12	402	5683	22	36220	34150	32207	31263	30283	28014	25633	23373									
	54 LXUM	1/2	0.33	210	2968	6.9	17217															
			0.49	240	3392	8.6	19676	16587														
			0.61	258	3647	9.9	21152	18190														
		3/4	0.76	276	3901	11.5	22628	19770	17219													
			0.88	290	4099	12.7	23776	20988	18768	17082												
			1.02	305	4311	14.1	25005	22293	20270	18833	17284											
		1-1/2	1.18	320	4523	15.5	26235	23591	21688	20529	18979											
			1.36	335	4735	16.9	27465	24892	23061	22081	20735											
			1.55	350	4948	18.1	28695	26191	24407	23526	22429	19711										
		2	1.71	362	5117	18.9	29679	27225	25471	24639	23688	21061										
			1.89	374	5287	19.6	30662	28266	26528	25734	24870	22437										
			2.07	386	5456	20	31646	29305	27580	26813	26013	23846	21424									
3		2.40	405	5725	22	33204	30941	29237	28502	27766	25992	23578										
		2.75	424	5994	23	34762	32577	30889	30173	29476	27955	25773	23604									
		3.13	443	6262	24	36319	34213	32538	31835	31164	29785	27978	25754									
5	3.73	469	6630	26	38451	36439	34789	34096	33450	32183	30751	28765	25799									
	4.38	495	6997	29	40583	38660	37042	36353	35720	34519	33274	31722	28761									
	5.13	522	7379	32	42796	40965	39374	38690	38067	36909	35768	34501	31884									
60	60 LXUL	1	0.31	150	2356	5.7	19853															
			1.01	223	3502	12.9	29514	25237	21547													
			1.18	234	3675	13.9	30970	26843	23384	21087												
		1-1/2	1.35	245	3848	15.0	32426	28439	25137	23318	20001											
			1.54	256	4021	16.0	33882	30034	26842	25224	23014											
			1.71	265	4162	16.8	35073	31329	28214	26691	24916	19905										
		2	1.88	274	4303	17.6	36264	32623	29572	28117	26540	21330										
			2.03	282	4429	18.3	37323	33771	30768	29360	27889	22898	20136									
			2.39	296	4649	19.7	39176	35769	32844	31502	30145	26676	22213	20044								
		3	2.74	310	4869	21	41029	37758	34905	33610	32330	29513	24520	22219								
			3.06	323	5073	22	42750	39599	36805	35547	34318	31768	27622	24145								
			3.75	344	5403	25	45529	42554	39857	38645	37477	35157	32530	27742	24457							
		5	4.48	365	5733	27	48308	45494	42901	41715	40591	38413	36159	33243	27576							
			5.23	385	6047	30	50956	48281	45777	44620	43529	41446	39370	37100	31103	26362						
			5.78	399	6267	33	52808	50223	47787	46653	45575	43541	41551	39473	34831	28506						
	7-1/2	6.50	413	6487	35	54661	52160	49787	48673	47611	45621	43698	41742	38231	30570							
		7.14	427	6707	37	56514	54090	51775	50683	49643	47686	45819	43952	40863	32714	28890						
		7.80	441	6927	39	58367	56018	53766	52698	51673	49743	47920	46121	43283	35150	31111						
	60 LXUM	1	0.41	200	3151	7.9	20405															
			1.02	271	4256	14.1	27649	25221	22788	21280	19574											
			1.17	284	4461	15.2	28975	26656	24366	23053	21470											
		1-1/2	1.35	297	4665	16.3	30302	28082	25902	24732	23329	20187										
			1.54	311	4885	17.5	31730	29609	27528	26456	25239	22320										
			1.71	322	5057	18.4	32852	30803	28790	27774	26668	23928										
		2	1.90	333	5230	19.4	33974	31992	30041	29070	28045	25525	22720									
			2.07	343	5387	20	34995	33069	31172	30234	29262	26946	24260									
			2.40	360	5654	22	36729	34894	33081	32187	31285	29262	26751	24087								
		3	2.75	377	5921	23	38464	36711	34975	34118	33265	31449	29210	26762								
			3.11	393	6173	25	40096	38414	36746	35922	35104	33418	31442	29106								
			3.75	418	6565	28	42647	41064	39493	38714	37942	36395	34723	32711	29400							
5		4.45	443	6958	31	45197	43704	42219	41482	40750	39296	37800	36117	33068								
		5.24	467	7335	34	47646	46229	44819	44117	43420	42038	40651	39174	36524	31479							
		5.31	469	7367	34	47850	46439	45035	44336	43642	42265	40885	39422	36804	31820							
7-1/2	5.38	471	7398	34	48054	46649	45251	44555	43863	42492	41119	39670	37082	32142								
	5.45	473	7429	35	48258	46859	45466	44774	44085	42719	41353	39917	37361	32460								
	5.55	476	7477	35	48564	47174	45790	45101	44417	43058	41702	40282	37777	32935								

Performance shown is for Installation Type A: free inlet, free outlet. Power rating (BHP) does not include drive losses. Performance ratings do not include the effects of appurtenances in the airstream. The sound ratings shown are loudness values in fan sones at 5 ft. (1.5 m) in a hemispherical free field calculated per AMCA Standard 301. Values shown are for Installation Type A: free inlet fan sone levels. \*Sone values are for maximum cataloged CFM at specified RPM. Shaded area denotes CFM where aluminum dampers are required.

# 20-36 LEU Data

## LEU

Fan Size	Model Number	HP	Max. BHP	RPM	Tip Speed	Sones*	CFM at Static Pressure													
							0.000	0.125	0.250	0.375	0.500	0.625	0.750	0.875	1.000					
20	20 LEU	1/4	0.23	1175	6344	11.5	3328													
			0.24	1185	6398	11.7	3357													
		1/3	0.28	1227	6625	12.7	3475													
			0.30	1269	6852	14.5	3594													
		1/2	0.37	1358	7332	15.1	3847	3504												
			0.41	1406	7591	15.5	3982	3650	3354											
			0.46	1454	7851	16.0	4118	3796	3507											
			0.51	1504	8121	16.4	4260	3948	3665	3389										
			0.55	1547	8353	16.9	4382	4077	3801	3535										
		3/4	0.60	4590	8585	17.4	4504	4207	3935	3678	3394									
			0.65	1633	8817	17.9	4625	4336	4069	3819	3551									
			0.70	1675	9044	18.4	4744	4462	4200	3956	3700	3403								
		24	24 LEU	1/4	0.19	800	5157	10.7	4036											
0.22	838				5402	11.6	4228													
0.25	876				5647	12.5	4420													
1/3	0.27			907	5847	13.3	4576	4003												
	0.30			938	6047	14.0	4733	4185												
	0.33			969	6246	14.8	4889	4365												
1/2	0.39			1017	6556	15.8	5131	4639	3996											
	0.44			1065	6865	16.9	5373	4908	4311											
	0.50			1112	7168	18.0	5611	5168	4614	3975										
3/4	0.59			1168	7529	19.3	5893	5475	4966	4369										
	0.67			1224	7890	21	6176	5779	5310	4750	4149									
	0.77			1280	8251	22	6458	6080	5645	5122	4561									
1	0.85			1324	8535	23	6680	6316	5904	5408	4873	4296								
	0.94			1368	8819	24	6902	6550	6160	5689	5178	4635	3996							
	1.04			1412	9102	25	7124	6784	6411	5966	5476	4961	4395							
1-1/2	1.19			1482	9554	27	7477	7154	6806	6399	5940	5461	4952	4360						
	1.38			1552	10005	30	7831	7522	7195	6821	6393	5943	5473	4967						
	1.57			1621	10450	32	8179	7884	7575	7227	6830	6405	5965	5502						
30	30 LEU	1/3	0.29	725	5789	15.4	6111													
			0.33	756	6036	16.2	6373													
			0.38	793	6332	17.2	6685													
		1/2	0.44	830	6627	18.1	6996	6051												
			0.51	868	6930	19.3	7317	6405												
			0.59	912	7282	21	7688	6812												
		3/4	0.67	956	7633	23	8059	7217	6435											
			0.76	999	7976	25	8421	7610	6877											
			0.85	1033	8248	26	8708	7920	7214	6238										
		1	0.94	1067	8519	28	8994	8229	7544	6684										
			1.03	1102	8799	30	9289	8546	7879	7116										
			1.19	1156	9230	33	9744	9033	8390	7724	6702									
		1-1/2	1.37	1210	9661	36	10200	9518	8894	8287	7432	6362								
			1.56	1265	10100	39	10663	10009	9405	8834	8127	7117	6118							
			1.67	1293	10324	41	10899	10258	9663	9106	8455	7500	6523							
		2	1.78	1321	10548	42	11135	10507	9921	9377	8767	7882	6908							
			1.90	1350	10779	43	11380	10765	10188	9653	9080	8272	7305							
36	36 LEU	1/3	0.27	525	5016	14.2	7829													
			0.32	554	5293	15.7	8261													
		1/2	0.40	595	5685	17.7	8872													
			0.50	636	6077	19.6	9484	8040												
		3/4	0.62	684	6536	22	10200	8830												
			0.76	732	6994	25	10915	9611	8430											
		1	0.89	770	7357	27	11482	10223	9140											
			1.03	807	7711	29	12034	10817	9800	8390										
		1-1/2	1.17	847	8093	31	12630	11456	10489	9315										
			1.37	887	8475	33	13227	12095	11162	10139	8543									
			1.56	927	8858	36	13823	12730	11826	10900	9568	7872								
		2	1.71	959	9163	38	14300	13238	12352	11482	10332	8713								
			1.91	991	9469	40	14777	13745	12874	12048	11035	9533	7925							
			2.09	1022	9765	43	15240	14234	13377	12583	11663	10333	8800							
		3	2.59	1097	10482	48	16358	15413	14587	13849	13072	12101	10739	9318						
			3.15	1172	11199	53	17476	16586	15789	15087	14390	13608	12596	11265	9941					
		5	3.74	1241	11858	59	18505	17661	16891	16210	15561	14877	14073	13017	11738					
			4.40	1310	12517	65	19534	18732	17988	17326	16708	16083	15397	14577	13506					

Performance shown is for installation type A: free inlet, free outlet. Power rating (BHP) does not include drive losses. Performance ratings do not include the effects of appurtenances in the airstream. The sound ratings shown are loudness values in fan sones at 5 ft. (1.5 m) in a hemispherical free field calculated per AMCA Standard 301. Values shown are for installation type A: free inlet fan sone levels. \*Sone values are for maximum cataloged CFM at specified RPM. **Shaded area denotes CFM where aluminum dampers are required.**

LEU

Fan Size	Model Number	HP	Max. BHP	RPM	Tip Speed	Sones*	CFM at Static Pressure														
							0.000	0.125	0.250	0.375	0.500	0.625	0.750	0.875	1.000						
42	42 LEU	3/4	0.57	500	5563	19.5	11863														
			0.77	546	6075	22	12954	11245													
		1	0.89	574	6386	24	13619	11987													
			1.01	602	6698	25	14283	12722	11065												
		1-1/2	1.26	647	7198	29	15351	13890	12443												
			1.56	692	7699	32	16418	15047	13725	12006											
		2	1.71	715	7955	34	16964	15634	14360	12814											
			1.87	738	8211	36	17510	16220	14986	13574	11459										
			2.08	762	8478	39	18079	16828	15631	14329	12443										
		3	2.41	800	8901	42	18981	17787	16642	15460	13897	11774									
			2.75	838	9324	46	19883	18741	17642	16543	15214	13345	11312								
			3.15	875	9735	50	20760	19666	18607	17568	16394	14815	12841								
		5	3.77	930	10347	55	22065	21034	20030	19057	18032	16777	15108	13251	11347						
			4.49	985	10959	60	23370	22396	21442	20520	19587	18538	17210	15520	13787						
			5.30	1040	11571	66	24675	23752	22844	21964	21094	20167	19077	17707	16052						
		7-1/2	6.11	1091	12139	71	25885	25004	24136	23291	22464	21613	20670	19533	18128						
			6.99	1142	12706	77	27095	26253	25422	24609	23816	23018	22171	21203	20036						
			7.86	1192	13262	82	28282	27475	26677	25893	25130	24372	23588	22733	21740						
48	48 LEU	3/4	0.69	440	5586	18.5	15311														
			0.77	454	5764	19.4	15798	13217													
		1	0.89	477	6056	21	16599	14115													
			1.02	500	6348	22	17399	14996													
		1-1/2	1.27	538	6831	25	18721	16428	14212												
			1.56	575	7300	28	20009	17808	15910	13121											
		2	1.80	604	7669	30	21018	18883	17150	14670											
			2.07	633	8037	32	22027	19955	18332	16141	13338										
		3	2.58	680	8634	36	23663	21690	20171	18395	16024										
			3.15	727	9230	41	25298	23417	21961	20467	18442	16071									
		5	4.12	795	10094	49	27664	25912	24508	23234	21688	19721	17525								
			5.29	864	10970	57	30065	28431	27068	25896	24657	23103	21252	19234							
		7-1/2	6.53	927	11770	65	32258	30720	29393	28273	27183	25928	24383	22636	20754						
			7.93	990	12570	73	34450	33000	31717	30624	29611	28551	27293	25793	24147						
		10	9.14	1040	13205	79	36190	34805	33554	32477	31505	30532	29450	28159	26670						
			10.46	1091	13852	86	37965	36640	35427	34364	33417	32502	31538	30428	29135						
			12.20	1153	14639	95	40122	38863	37691	36653	35727	34856	33979	33030	31953						
		15	14.08	1214	15414	105	42245	41046	39920	38900	37988	37146	36323	35475	34546						
54	54 LEU	1-1/2	0.55	350	4982	14.6	17532														
			0.94	422	6007	18.9	21138														
			1.55	493	7018	23	24694	20315	16594												
		2	1.70	510	7260	24	25546	21220	17702												
			1.86	527	7502	26	26397	22120	18806												
		3	2.06	544	7744	27	27249	23015	19904												
			2.41	571	8128	30	28601	24431	21604	18166											
		5	2.76	598	8512	32	29954	25841	23231	19945	16602										
			3.11	624	8882	35	31256	27199	24725	21640	18579										
			3.77	663	9438	39	33210	29232	26883	24168	21220	18055									
		7-1/2	4.46	702	9993	43	35163	31280	28985	26624	23781	21077									
			5.29	742	10562	47	37167	33371	31109	29009	26382	23774	21118								
			6.07	778	11075	51	38970	35257	33003	31052	28703	26140	23708	20712							
		10	6.98	814	11587	54	40773	37155	34890	33033	30952	28484	26121	23757							
			7.92	850	12100	58	42577	39041	36769	34977	33103	30819	28487	26264	23832						
			8.79	879	12512	60	44029	40553	38283	36524	34772	32672	30378	28199	26027						
		15	9.67	908	12925	63	45482	42085	39799	38060	36393	34478	32261	30109	28031						
			10.64	937	13338	66	46934	43612	41307	39589	37984	36226	34139	32002							
60	60 LEU	1-1/2	0.62	300	4741	20	20892														
			1.53	407	6433	30	28343	23993													
		2	1.79	428	6765	32	29806	25567	20203												
			2.08	449	7096	35	31268	27112	21931												
		3	2.55	482	7618	41	33566	29513	24822	21029											
			3.14	515	8140	46	35865	31904	28873	23982	19904										
		5	4.09	563	8898	56	39207	35391	32967	27952	24904	20868									
			5.25	612	9673	67	42620	38944	36653	32932	29125	26127	22336								
		7-1/2	6.09	642	10147	74	44709	41133	38855	36466	31602	28989	25601	21798							
			6.95	672	10621	78	46798	43309	41038	39002	34178	31553	28783	25328							
			7.91	701	11080	83	48818	45413	43142	41259	37238	33941	31550	28475	25147						
		10	8.75	725	11459	86	50489	47166	44879	43068	40455	35934	33635	31003	27791						
			9.65	749	11838	90	52160	48912	46613	44851	42801	38010	35627	33335	30398						
			10.61	773	12218	94	53832	50653	48364	46615	44803	40335	37597	35468	32934						
		15	11.74	800	12644	99	55712	52605	50326	48588	46919	43929	39845	37738	35571						
			12.98	827	13071	103	57592	54557	52279	50549	48966	46903	42228	39961	37971						
			14.29	854	13498	109	59473	56519	54233	52507	50986	49251	45027	42199	40242						

Performance shown is for installation type A: free inlet, free outlet. Power rating (BHP) does not include drive losses. Performance ratings do not include the effects of appurtenances in the airstream. The sound ratings shown are loudness values in fan sones at 5 ft. (1.5 m) in a hemispherical free field calculated per AMCA Standard 301. Values shown are for installation type A: free inlet fan sone levels. \*Sone values are for maximum cataloged CFM at specified RPM. Shaded area denotes CFM where aluminum dampers are required.



# 20-36 LTU Data

## LTU

Fan Size	Model Number	HP	Max. BHP	RPM	Tip Speed	CFM at Static Pressure												
						0.000	0.125	0.250	0.375	0.500	0.625	0.750	0.875	1.000	1.125			
20	20 LTU	0.25	0.21	1100	5831	3324												
			0.25	1149	6091	3473												
		0.334	0.29	1209	6409	3654	3303											
			0.33	1270	6732	3838	3506											
		0.5	0.41	1364	7231	4122	3815	3469										
			0.51	1458	7729	4406	4120	3808	3395									
		0.75	0.63	1568	8312	4739	4473	4191	3858	3317								
			0.77	1678	8895	5071	4824	4565	4276	3894								
		1	0.86	1736	9203	5247	5007	4759	4487	4150	3595							
			0.94	1794	9510	5422	5190	4951	4693	4389	3947							
		1.5	1.04	1851	9812	5594	5370	5139	4893	4612	4237							
			1.20	1942	10295	5869	5656	5437	5207	4954	4644	4193						
			1.37	2033	10777	6144	5940	5733	5516	5283	5015	4666	4093					
		2	1.57	2125	11265	6422	6227	6029	5824	5607	5367	5078	4682					
			1.73	2197	11647	6640	6451	6260	6064	5857	5633	5374	5045	4555				
			1.91	2269	12028	6857	6675	6490	6301	6103	5892	5656	5372	4991				
2.10	2342		12415	7078	6901	6723	6540	6351	6151	5932	5680	5362	4913					
24	24 LTU	0.334	0.21	800	5078	4504												
			0.33	928	5891	5224	4516											
		0.5	0.41	997	6329	5613	4952	4124										
			0.51	1066	6767	6001	5381	4714										
		0.75	0.63	1146	7275	6452	5873	5293	4236									
			0.76	1226	7783	6902	6360	5830	5097									
		1	0.90	1290	8189	7262	6746	6244	5651									
			1.04	1353	8589	7617	7125	6645	6127	5244								
		1.5	1.19	1420	9015	7994	7525	7066	6596	5926								
			1.37	1487	9440	8371	7923	7483	7044	6504	5564							
		2	1.57	1553	9859	8743	8313	7890	7474	7008	6290							
			1.73	1606	10195	9041	8626	8216	7814	7385	6795	5782						
			1.91	1659	10532	9340	8937	8540	8150	7748	7243	6444						
		3	2.10	1712	10868	9638	9248	8862	8484	8100	7655	6997						
			2.42	1796	11402	10111	9739	9370	9008	8648	8260	7761	7004					
			2.78	1880	11935	10584	10228	9876	9528	9185	8831	8421	7853	7026				
3.16	1964		12468	11057	10716	10378	10044	9716	9384	9025	8579	7952	7034					
30	30 LTU	0.334	0.29	600	4751	6884												
			0.33	628	4973	7205												
		0.5	0.41	675	5345	7744	6646											
			0.49	722	5717	8283	7274											
		0.75	0.62	776	6145	8903	7975	6725										
			0.77	830	6573	9522	8663	7618										
		1	0.89	873	6913	10015	9202	8258										
			1.02	916	7254	10509	9737	8869	7592									
		1.5	1.28	984	7792	11289	10573	9796	8813									
			1.56	1052	8331	12069	11402	10692	9864	8655								
		2	1.72	1088	8616	12482	11837	11158	10386	9339								
			1.90	1124	8901	12895	12271	11619	10892	9972								
		3	2.09	1159	9178	13297	12692	12064	11374	10541	9339							
			2.41	1216	9630	13951	13375	12781	12143	11409	10434							
			2.77	1273	10081	14604	14056	13492	12893	12229	11421	10297						
		5	3.16	1330	10532	15258	14733	14196	13633	13021	12313	11392						
3.79	1414		11198	16222	15729	15226	14706	14152	13542	12823	11882							
4.51	1498		11863	17186	16720	16249	15762	15255	14708	14099	13378	12440						
5.30	1581		12520	18138	17697	17251	16796	16322	15824	15283	14679	13958	13042					
36	36 LTU	0.334	0.19	400	3796	7895												
			0.33	462	4384	9119												
		0.5	0.41	496	4707	9790												
			0.50	530	5029	10461	8401											
		0.75	0.62	570	5409	11250	9397											
			0.76	610	5789	12040	10351											
		1	0.89	642	6092	12671	11091	8859										
			1.03	673	6386	13283	11794	9819										
		1.5	1.28	723	6861	14270	12903	11193										
			1.56	773	7335	15257	13991	12473	10382									
		2	1.72	799	7582	15770	14549	13116	11263									
			1.90	825	7829	16283	15105	13745	12048									
		3	2.09	852	8085	16816	15679	14387	12810									
			2.41	894	8484	17645	16564	15366	13932	12040								
			2.76	936	8882	18474	17444	16325	15007	13419								
		5	3.15	977	9271	19284	18300	17244	16025	14603	12526							
3.79	1039		9860	20507	19584	18609	17515	16261	14777									
7.5	4.51	1101	10448	21731	20861	19955	18959	17834	16567	14968								
	5.30	1162	11027	22935	22112	21261	20346	19325	18190	16901	15101							
	6.03	1213	11511	23942	23154	22345	21485	20537	19490	18336	16968							
	6.82	1264	11995	24948	24193	23419	22606	21724	20754	19695	18513	17015						
	7.67	1314	12470	25935	25208	24467	23696	22867	21962	20978	19909	18865	16956					

Performance shown is for Installation Type A: free inlet, free outlet. Power rating (BHP) does not include drive losses. Performance ratings do not include the effects of appurtenances in the airstream. Shaded area denotes CFM where aluminum dampers are required.



## AUD - Direct Drive

Fan Size	Model Number	HP	Max. BHP	RPM	Tip Speed	CFM vs. Static Pressure						
						0.000	0.050	0.100	0.125	0.150	0.200	0.250
24	24U11D	1/2	0.54	1140	7162	4948	4639	4381	4245	4074		
	24U11DA	3/4	0.84				5258	4962	4770	4309	4133	
30	30U8D	3/4	0.82	860	6754	8628	8169	7641	7322	6956	6248	
	30U8DA	1	1.06			9084	8555	7888	7505	7104		
	30U11D	1-1/2	1.56	1140	8953	10706	10371	10019	9831	9626	9170	8660
	30U11DA	2	2.14			11830	11459	11074	10871	10656	10181	9634
36	36U8D	1	1.23	860	8105	12492	11998	11463	11158	10810	9947	9040
	36U8DA	1-1/2	1.61			13699	13176	12605	12275	11894	10997	9719
	36U11D	2	2.43	1140	10744	15607	15240	14859	14659	14447	13962	13376
	36U11DA	3	3.29			17409	17033	16649	16450	16245	15809	15313
42	42U8D	1	1.25	860	9456	14581	14008	13425	13127	12823	12194	11528
	42U8DA	1-1/2	1.62			16524	15998	15455	15170	14870	14233	13562
	42U8DB	2	2.20			19622	19125	18605	18327	18028	17356	16601
	42U8DC	3	3.28			21120	20626	20121	19857	19583	18992	18312
48	48U8D	2	2.22	860	10807	23788	23207	22601	22278	21934	21132	20161
	48U8DA	3	3.41			26359	25875	25375	25113	24840	24229	23452
	48U8DB	5	5.19			35483	34816	34148	33813	33479	32808	32133

Performance shown is for installation type A: free inlet, free outlet. Power rating (BHP) does not include drive losses. Performance ratings do not include the effects of appurtenances in the airstream. **Shaded area denotes CFM where aluminum dampers are required.**

**AUB - Belt Drive**

Fan Size	Model Number	HP	Max. BHP	RPM	Tip Speed	CFM vs. Static Pressure								
						0.000	0.050	0.100	0.125	0.150	0.200	0.250		
24	24 AUB	1/2	0.25	850	5340	4187								
			0.36	962	6044	4739	4477	4195	4028					
			0.49	1075	6754	5295	5061	4820	4687	4539	4161			
		3/4	0.57	1129	7093	5562	5339	5111	4989	4857	4539	4023		
			0.67	1183	7433	5828	5615	5400	5287	5165	4886	4509		
			0.77	1237	7772	6094	5890	5685	5579	5467	5216	4903		
		1	0.85	1280	8042	6305	6109	5911	5810	5704	5471	5191		
			0.94	1323	8312	6517	6327	6136	6039	5938	5719	5465		
			1.03	1365	8576	6724	6540	6355	6261	6165	5959	5724		
		1-1/2	1.18	1430	8984	7044	6869	6692	6603	6513	6321	6111		
			1.36	1495	9393	7364	7196	7028	6943	6857	6680	6485		
			1.54	1560	9801	7685	7524	7362	7281	7199	7032	6852		
30	30 AUB	3/4	0.28	600	4712	6142								
			0.48	722	5670	7390	6905	6208						
			0.77	844	6628	8639	8233	7745	7425	7049				
		1	0.85	873	6856	8936	8545	8086	7795	7450	6439			
			0.94	902	7084	9233	8856	8423	8156	7839	7026			
			1.03	931	7312	9530	9165	8755	8507	8217	7498			
		1-1/2	1.19	977	7673	10001	9654	9274	9052	8797	8173	7223		
			1.37	1023	8034	10471	10141	9786	9584	9357	8805	8099		
			1.56	1069	8395	10942	10627	10292	10108	9902	9410	8804		
		2	1.73	1105	8678	11311	11006	10685	10510	10320	9869	9315		
			1.90	1141	8961	11679	11385	11077	10911	10732	10317	9807		
			2.09	1178	9252	12058	11773	11476	11318	11151	10765	10298		
36	36 AUB	1	0.29	450	4241	7959								
			0.58	568	5353	10046	9294	8133						
			1.03	686	6465	12133	11533	10791	10301	9719				
		1-1/2	1.19	720	6785	12735	12165	11492	11062	10552				
			1.37	754	7106	13336	12795	12176	11793	11341	10186			
			1.56	788	7426	13938	13421	12846	12502	12102	11116	7702		
		2	1.73	815	7681	14415	13917	13370	13052	12685	11790	10435		
			1.90	842	7935	14893	14411	13890	13593	13255	12434	11360		
			2.08	868	8180	15352	14886	14387	14107	13794	13036	12088		
		3	2.41	911	8585	16113	15669	15200	14945	14665	13998	13177		
			2.77	954	8991	16874	16451	16009	15772	15515	14923	14197		
			3.15	996	9387	17616	17212	16791	16569	16333	15799	15151		
42	42 AUB	1-1/2	0.44	400	4398	11235								
			0.88	504	5541	14156	13175	11731						
			1.56	609	6696	17105	16318	15379	14770	14052				
		2	1.72	630	6927	17695	16937	16056	15499	14842	13028			
			1.90	651	7158	18285	17554	16721	16209	15608	14081			
			2.08	671	7378	18847	18139	17347	16873	16317	14947			
		3	2.40	704	7740	19773	19100	18365	17940	17451	16256	14546		
			2.76	737	8103	20700	20059	19372	18982	18548	17489	16150		
			3.15	770	8466	21627	21014	20364	20009	19614	18671	17511		
		5	3.78	819	9005	23003	22429	21828	21506	21158	20354	19371		
			4.51	868	9544	24380	23838	23277	22981	22669	21967	21126		
			5.30	916	10071	25728	25215	24688	24415	24128	23501	22768		
48	48 AUB	2	0.58	350	4398	14674	12872							
			1.18	444	5579	18615	17346	15489	14095					
			2.08	537	6748	22514	21496	20286	19509	18589	12822			
		3	2.40	563	7074	23604	22637	21529	20841	20027	17932			
			2.74	589	7401	24694	23773	22746	22130	21410	19638	13559		
			3.14	616	7740	25826	24947	23987	23432	22794	21232	18999		
		5	3.77	655	8230	27461	26637	25758	25266	24716	23391	21738		
			4.49	694	8721	29096	28321	27503	27060	26577	25438	24040		
			5.29	733	9211	30731	29998	29235	28829	28397	27399	26189		
		7-1/2	6.11	769	9663	32241	31542	30820	30441	30042	29150	28086		
			7.01	805	10115	33750	33083	32399	32044	31672	30859	29912		
			7.96	840	10555	35217	34579	33927	33588	33239	32494	31637		

Performance shown is for installation type A: free inlet, free outlet. Power rating (BHP) does not include drive losses. Performance ratings do not include the effects of appurtenances in the airstream. **Shaded area denotes CFM where aluminum dampers are required.**

## EUB

Fan Size	Model Number	HP	Max. BHP	RPM	Tip Speed	CFM vs. Static Pressure								
						0.000	0.125	0.250	0.375	0.500	0.750	1.000	1.250	
24	24 EUB	1/2	0.24	700	4398	4250								
			0.35	798	5013	4845	4029							
			0.50	897	5636	5447	4747							
		3/4	0.58	942	5918	5720	5060							
			0.67	987	6201	5993	5367	4478						
			0.77	1033	6490	6272	5677	4923						
		1	0.85	1068	6710	6485	5910	5221						
			0.94	1103	6930	6697	6143	5502						
			1.03	1139	7156	6916	6380	5777						
		1-1/2	1.19	1195	7508	7256	6746	6190	5325					
			1.37	1251	7860	7596	7110	6591	5901					
			1.56	1308	8218	7942	7478	6989	6394	4005				
		2	1.73	1353	8501	8215	7767	7298	6755	5790				
			1.91	1398	8783	8489	8055	7605	7099	6356				
			2.09	1442	9060	8756	8336	7902	7424	6791				
		3	2.42	1513	9506	9187	8787	8376	7935	7405	4046			
			2.78	1584	9952	9618	9236	8846	8434	7966	4678			
			3.16	1654	10392	10043	9678	9306	8917	8491	7039	4001		
30	30 EUB	1/2	0.31	600	4712	6173								
			0.39	654	5136	6729								
			0.50	708	5560	7285	6158							
		3/4	0.57	744	5843	7655	6598							
			0.66	780	6126	8025	7031							
			0.76	815	6401	8386	7447	6373						
		1	0.85	843	6620	8674	7775	6742						
			0.94	871	6840	8962	8099	7098						
			1.03	899	7060	9250	8420	7447						
		1-1/2	1.18	943	7406	9703	8918	7991	6978					
			1.36	987	7751	10155	9411	8533	7652					
			1.56	1032	8105	10618	9910	9085	8251	6760				
		2	1.72	1067	8380	10978	10296	9510	8696	7648				
			1.89	1102	8655	11338	10679	9931	9133	8277				
			2.08	1138	8937	11709	11072	10359	9578	8812				
		3	2.41	1194	9377	12285	11680	11016	10268	9558				
			2.76	1250	9817	12861	12285	11663	10956	10266	7830			
			3.14	1306	10257	13437	12887	12300	11638	10960	9351			
36	36 EUB	3/4	0.30	450	4241	8165								
			0.76	602	5673	10923	9350							
		1	0.88	633	5965	11485	10017	7648						
			1.01	664	6258	12048	10667	8534						
		1-1/2	1.27	713	6719	12937	11669	9840						
			1.56	762	7181	13826	12651	11133	8915					
		2	1.72	788	7426	14297	13166	11774	9752					
			1.89	814	7671	14769	13677	12385	10473					
		3	2.07	840	7916	15241	14185	12971	11165	7822				
			2.39	881	8303	15985	14982	13864	12260	10334				
			2.76	922	8689	16729	15773	14731	13346	11604				
		5	3.15	964	9085	17491	16578	15600	14394	12735				
			3.77	1025	9660	18598	17742	16840	15802	14364	9400			
			4.51	1086	10235	19704	18898	18057	17130	15954	12903	7749		
		7-1/2	5.28	1146	10800	20793	20030	19241	18391	17395	14671	9433		
			6.06	1202	11328	21809	21082	20335	19543	18656	16163	11891	8348	
			6.98	1258	11856	22825	22131	21422	20677	19865	17663	15040	9850	
				7.96	1313	12374	23823	23158	22481	21776	21023	19110	16662	11682
42	42 EUB	3/4	0.54	450	4948	11609								
			0.74	501	5508	12924								
		1	0.89	527	5794	13595	11616							
			1.03	553	6080	14266	12406							
		1-1/2	1.26	594	6531	15323	13634	11790						
			1.54	635	6982	16381	14834	13069						
		2	1.80	667	7334	17207	15754	14043	12319					
			2.08	700	7696	18058	16687	15047	13532					
		3	2.39	735	8081	18961	17666	16114	14679	12641				
			2.77	770	8466	19864	18635	17180	15770	14217				
			3.15	804	8840	20741	19571	18206	16808	15475				
		5	4.08	880	9676	22701	21639	20456	19119	17929	14374			
			5.28	955	10500	24636	23662	22612	21403	20216	17873	12462		
		7-1/2	6.49	1025	11270	26442	25537	24582	23501	22347	20298	17105	11215	
			7.96	1095	12040	28248	27402	26521	25553	24480	22488	20342	15882	
		10	9.22	1151	12655	29692	28889	28059	27166	26167	24193	22368	19396	
			10.64	1206	13260	31111	30345	29557	28722	27800	25865	24154		

Performance shown is for installation type A: free inlet, free outlet. Power rating (BHP) does not include drive losses. Performance ratings do not include the effects of appurtenances in the airstream. **Shaded area denotes CFM where aluminum dampers are required.**

EUB

Fan Size	Model Number	HP	Max. BHP	RPM	Tip Speed	CFM vs. Static Pressure								
						0.000	0.125	0.250	0.375	0.500	0.750	1.000	1.250	
48	48 EUB	1	0.55	375	4712	13716								
			0.99	462	5805	16898	14376							
		1-1/2	1.26	496	6232	18142	15795	12999						
			1.55	531	6672	19422	17230	14869						
		2	1.79	558	7012	20409	18323	16154						
			2.05	585	7351	21397	19406	17377	14510					
		3	2.58	629	7904	23006	21154	19295	17119	13309				
			3.13	672	8444	24579	22845	21114	19251	16520				
		5	3.77	714	8972	26115	24483	22855	21172	19104				
			4.47	756	9500	27651	26110	24572	23014	21274	15048			
		5.25	799	10040	29224	27766	26310	24849	23298	18512				
			6.50	857	10769	31346	29986	28628	27271	25881	22393	15769		
		7-1/2	7.94	915	11498	33467	32193	30921	29650	28372	25522	20807	13687	
			9.15	961	12076	35150	33937	32725	31515	30304	27726	24076	17930	
		10	10.61	1008	12666	36869	35712	34557	33403	32250	29863	26922	22117	
			13.10	1082	13596	39575	38498	37421	36346	35271	33100	30711	27411	
		15	15.98	1155	14514	42245	41236	40227	39219	38212	36195	34083		
			54	54 EUB	3	0.76	300	4241	19790					
1.69	390	5513				25727	22239							
3.13	479	6771			31598	28780	24816							
	3.77	509			7195	33577	30922	28029	22271					
5	4.46	539			7619	35556	33047	30473	25081					
	5.23	569			8044	37535	35157	32775	28035	23648				
6.08	597	8439			39382	37115	34862	31758	26606					
	6.98	625			8835	41229	39062	36915	34463	29203				
7-1/2	7.90	652			9217	43010	40933	38872	36680	31834	16663			
	8.72	674			9528	44461	42451	40456	38405	34588	18983			
10	9.64	696			9839	45912	43966	42032	40075	37396	28854			
	10.62	719			10164	47430	45545	43671	41797	39569	31415			
12.22	754	10659			49738	47941	46152	44376	42444	34704	19357			
	13.97	789			11154	52047	50329	48618	46919	45163	38001	30626		
15	15.86	823			11634	54290	52643	51001	49371	47726	41992	35527	19411	
	17.61	851			12030	56137	54544	52956	51377	49797	45649	38260	22464	
20	19.41	879			12426	57984	56442	54904	53373	51850	48321	40848	25646	
	21.30	907			12822	59831	58337	56845	55360	53884	50668	43490	38294	
60	60 EUB	3	0.58	250	3926	21160								
			3.09	431	6770	36479	32328	28038	20973					
		5	4.09	472	7414	39949	36119	32443	27675					
			5.25	513	8058	43419	39870	36546	32646	27379				
		7-1/2	6.53	551	8655	46636	43316	40211	36887	32725				
			7.91	588	9236	49767	46644	43707	40751	37188	22729			
		8.68	608	9550	51460	48436	45576	42762	39481	29227				
			9.49	628	9864	53153	50222	47435	44731	41697	33485			
		10	10.45	647	10163	54761	51913	49193	46578	43739	36386	20863		
			12.17	678	10650	57385	54662	52044	49550	46958	40475	26051		
		15	13.91	709	11136	60008	57403	54882	52482	50064	44237	35524	20953	
			15.74	741	11639	62717	60222	57793	55479	53195	47944	41128	26112	
		17.48	766	12032	64833	62418	60061	57804	55602	50725	44577	30982		
			19.33	791	12425	66949	64609	62319	60118	57985	53419	47741	39326	
		21.28	817	12833	69149	66882	64658	62512	60443	56139	50881	44233		
			22.88	838	13163	70927	68715	66543	64441	62414	58282	53342	47358	
		24.67	859	13493	72704	70547	68424	66364	64376	60391	55740	50173		
			26.61	880	13823	74481	72375	70300	68279	66328	62463	58080	52836	
72	72 EUB	5	0.61	200	3769	27380								
			2.21	300	5654	41070	32721							
		5.13	400	7539	54760	49401	40702	30917						
			6.07	420	7916	57498	52443	45358	35338					
		7-1/2	6.91	440	8293	60236	55434	49375	39236					
			7.70	459	8651	62838	58256	52782	43048	34797				
		8.36	474	8934	64891	60471	55336	46230	38576					
			9.36	489	9217	66945	62670	57818	49639	41594				
		10	10.51	505	9519	69135	65003	60395	53438	44704				
			12.15	530	9990	72558	68630	64358	58775	49706				
		15	13.69	555	10461	75980	72239	68225	63390	55089				
			15.80	579	10913	79266	75689	71895	67516	60739	46922			
		20	17.61	599	11290	82004	78550	74920	70829	65237	50962			
			19.28	619	11667	84742	81401	77910	74048	69219	54850			
		20.83	638	12026	87343	84103	80737	77066	72689	58611	28117			
			22.19	654	12327	89533	86374	83107	79591	75485	61894	50701		
		23.62	670	12629	91724	88641	85470	82062	78201	75306	54486			
			25.81	687	12949	94051	91046	87965	84673	81021	69130	57932		

Performance shown is for installation type A: free inlet, free outlet. Power rating (BHP) does not include drive losses. Performance ratings do not include the effects of appurtenances in the airstream. Shaded area denotes CFM where aluminum dampers are required.

## TUD - Direct Drive

Fan Size	Model Number	HP	Max. BHP	RPM	CFM vs. Static Pressure										
					0.000	0.125	0.250	0.375	0.500	0.625	0.750	0.875	1.000	1.125	
20	20 TUD	1/4	0.24	1140	3331										
	20 TUD	1	0.85	1725	5041	4749	4455	4137	3693						
24	24 TUD	1/4	0.28	860	4609										
	24 TUD	3/4	0.65	1140	6109	5586	5008								
	24 TUD	3	2.25	1725	9244	8901	8554	8198	7820	7379	6774				
30	30 TUD	1	0.90	860	9226	8284	7271								
	30 TUD	2	2.10	1140	12230	11531	10799	10029	9262						
36	36 TUD	1	1.13	680	12726	11385	9825								
	36 TUD	3	2.28	860	16095	15048	13946	12706							
	36 TUD	5	5.32	1140	21335	20549	19751	18926	18057	17117	16031				
42	42 TUD	3	2.54	680	20995	19413	17417	15601							
	42 TUD	5	5.15	860	26552	25334	23982	22357	20827	19421					
48	48 TUD	5	4.95	680	31530	29832	28102	26216	23831						
	48 TUD	10	10.02	860	39877	38536	37187	35818	34392	32814	30961	28833			
54	54 TUD	10	9.15	680	46153	44191	42182	40055	37543	34510	31897				
	54 TUD	20	18.48	860	58370	56822	55259	53669	52029	50291	48354	46055	43639	41543	
60	60 TUD	15	15.62	680	60874	58525	56164	53776	51338	48819	46196	43435			

Performance shown is for installation type A: free inlet, free outlet. Power rating (BHP) does not include drive losses. Performance ratings do not include the effects of appurtenances in the airstream. **Shaded areas denote CFM values that require aluminum dampers.**

TUB/TUBSC

Fan Size	Model Number	HP	Max. BHP	RPM	Tip Speed	CFM vs. Static Pressure																
						0.000	0.125	0.250	0.375	0.500	0.625	0.750	0.875	1.000	1.250							
20	20 TUB/TUBSC	0.334	0.28	1200	6361	3507																
			0.31	1232	6531	3600																
			0.33	1263	6695	3691	3291															
		0.5	0.39	1325	7024	3872	3491															
			0.44	1387	7353	4053	3689	3300														
			0.50	1450	7687	4237	3889	3527														
		0.75	0.59	1523	8074	4451	4120	3780	3335													
			0.68	1596	8461	4664	4348	4028	3646													
			0.77	1669	8848	4877	4575	4271	3930	3398												
		1	0.85	1726	9150	5044	4752	4458	4141	3698												
			0.94	1783	9452	5210	4928	4644	4344	3959												
			1.04	1840	9754	5377	5103	4828	4543	4198	3641											
		1.5	1.20	1931	10237	5643	5382	5120	4854	4552	4141											
			1.37	2022	10719	5909	5660	5410	5158	4886	4549	4028										
			1.57	2114	11207	6178	5939	5701	5460	5209	4919	4530										
		2	1.74	2186	11588	6388	6158	5927	5695	5456	5191	4859	4364									
			1.91	2258	11970	6598	6375	6152	5928	5699	5453	5160	4768									
			2.10	2329	12347	6806	6590	6373	6156	5936	5704	5440	5106	4616								
		24	24 TUB/TUBSC	0.5	0.32	900	5713	4823	4147													
					0.40	974	6183	5220	4601													
0.50	1049				6659	5621	5050	4356														
0.75	0.59			1102	6996	5905	5363	4746														
	0.67			1155	7332	6190	5673	5108														
	0.77			1207	7662	6468	5975	5448	4668													
1	0.85			1249	7929	6693	6217	5715	5048													
	0.94			1291	8196	6918	6458	5978	5383													
	1.04			1332	8456	7138	6692	6230	5686													
1.5	1.20			1398	8875	7492	7067	6631	6145	5434												
	1.37			1464	9294	7845	7440	7026	6580	6007												
	1.57			1529	9707	8194	7806	7411	6995	6500	5712											
2	1.73			1581	10037	8472	8098	7717	7320	6868	6243											
	1.90			1633	10367	8751	8388	8021	7640	7221	6685											
	2.10			1685	10697	9030	8678	8323	7957	7563	7088	6372										
3	2.42			1768	11224	9475	9140	8801	8456	8093	7681	7154										
	2.78			1851	11751	9919	9600	9277	8949	8610	8240	7803	7203									
	3.17			1934	12278	10364	10058	9750	9438	9117	8778	8396	7925	7224								
30	30 TUB/TUBSC			0.5	0.48	700	5543	7510	6323													
					0.49	704	5575	7553	6373													
		0.50	709		5614	7606	6436															
		0.75	0.57	744	5892	7982	6874															
			0.67	779	6169	8357	7305	6169														
			0.77	815	6454	8744	7744	6670														
		1	0.85	843	6676	9044	8081	7046														
			0.93	871	6897	9344	8416	7415														
			1.02	899	7119	9645	8747	7779														
		1.5	1.19	944	7475	10128	9276	8358	7410													
			1.37	989	7832	10610	9800	8930	8044													
			1.56	1033	8180	11082	10308	9482	8637													
		2	1.72	1068	8457	11458	10710	9917	9098	8227												
			1.90	1103	8735	11833	11110	10348	9553	8743												
			2.09	1138	9012	12209	11508	10774	10004	9234												
		3	2.41	1194	9455	12810	12143	11450	10718	9989	9197											
			2.77	1250	9899	13410	12774	12118	11424	10724	10013											
			3.15	1306	10342	14011	13403	12778	12121	11448	10782	10045										
		5	3.79	1388	10992	14891	14319	13735	13126	12494	11865	11230										
			4.50	1470	11641	15771	15231	14683	14115	13524	12925	12335	11722									
5.31	1553		12298	16661	16151	15633	15102	14550	13983	13420	12861	12266										
36	36 TUB/TUBSC	0.75	0.33	450	4270	8422	6100															
			0.51	524	4972	9807	7987															
			0.76	598	5675	11192	9642															
		1	0.83	618	5864	11566	10074															
			0.93	638	6054	11940	10501	8676														
			1.03	659	6254	12333	10944	9277														
		1.5	1.19	692	6567	12951	11634	10126														
			1.36	725	6880	13568	12316	10920														
			1.54	757	7184	14167	12971	11664														
		2	1.72	783	7430	14654	13499	12253	10676													
			1.90	809	7677	15140	14025	12832	11413													
			2.09	835	7924	15627	14548	13403	12088													
		3	2.40	876	8313	16394	15367	14290	13092													
			2.76	917	8702	17162	16181	15163	14052	12704												
			3.15	958	9091	17929	16992	16024	14985	13802												
		5	3.78	1018	9661	19052	18171	17267	16314	15271	13999											
			4.49	1078	10230	20175	19343	18496	17611	16665	15606											
			5.30	1139	10809	21316	20530	19731	18905	18034	17093	16004										
		7.5	6.10	1194	11331	22346	21596	20837	20056	19241	18375	17426	16245									
			6.99	1249	11853	23375	22659	21934	21193	20426	19620	18755	17785									
7.97	1305		12384	24423	23737	23046	22341	21615	20859	20060	19198	18198										
42	42 TUB/TUBSC	1	0.71	450	4977	13893	11158															
			0.84	476	5265	14696	121															



# 42-72 TUB / TUBSC Data

## TUB / TUBSC

Fan Size	Model Number	HP	Max. BHP	RPM	Tip Speed	CFM vs. Static Pressure												
						0.000	0.125	0.250	0.375	0.500	0.625	0.750	0.875	1.000	1.125	1.250		
42	42 TUB/ TUBSC	5	3.78	776	8583	23958	22596	20991	19197	17648								
			4.48	822	9092	25379	24099	22645	20925	19420	17660							
			5.27	867	9589	26768	25560	24227	22620	21087	19707							
		7.5	6.07	909	10054	28065	26915	25669	24188	22652	21336	19780						
			6.95	951	10519	29361	28264	27096	25731	24231	22899	21639						
			7.96	994	10994	30689	29642	28536	27283	25851	24490	23306	21951					
	10	8.78	1028	11370	31739	30728	29668	28484	27125	25762	24575	23405	21632					
		9.70	1062	11746	32788	31810	30792	29677	28388	27044	25832	24732	23439					
		10.61	1095	12111	33807	32859	31876	30812	29598	28287	27058	25973	24859	23229				
	48	48 TUB/ TUBSC	1.5	1.43	450	5699	20866	18261	14726									
				1.49	456	5775	21144	18577	15154									
				1.55	462	5851	21422	18892	15573									
2			1.72	478	6053	22164	19725	16662										
			1.89	494	6256	22906	20550	17713										
			2.07	509	6446	23601	21318	18662										
3			2.37	534	6762	24761	22588	20176										
			2.75	559	7079	25920	23847	21618	18596									
			3.14	584	7396	27079	25097	23010	20311									
5			3.75	621	7864	28795	26933	25009	22706									
			4.49	658	8333	30510	28755	26959	24943	22342								
			5.26	694	8789	32180	30516	28824	27004	24750								
7.5		6.08	728	9219	33756	32171	30564	28878	26899	24449								
		6.97	762	9650	35333	33819	32288	30706	28931	26759								
		7.95	796	10081	36909	35460	33998	32501	30880	28956	26680							
10		8.78	823	10422	38161	36760	35348	33909	32382	30623	28529							
		9.67	850	10764	39413	38057	36691	35304	33855	32232	30314	28133						
		10.63	877	11106	40665	39350	38028	36689	35302	33795	32035	30004						
15		11.83	909	11512	42149	40881	39606	38317	36996	35591	33996	32151	30097					
		13.13	941	11917	43633	42408	41177	39936	38671	37345	35883	34209	32312					
		14.52	973	12322	45116	43932	42743	41544	40327	39067	37714	36187	34452	32543				
54		54 TUB/ TUBSC	3	1.22	350	4982	23755	19647										
				2.04	413	5879	28031	24714	20266									
				3.14	476	6776	32307	29469	26116	22090								
	5		3.76	506	7203	34343	31683	28719	24837									
			4.44	536	7630	36379	33874	31176	27605									
			5.27	566	8057	38416	36048	33547	30430	27034								
	7.5		6.04	593	8441	40248	37991	35636	32876	29464								
			6.94	620	8825	42081	39924	37694	35197	31977	29048							
			7.90	648	9224	43981	41920	39799	37502	34617	31591							
	10		8.70	670	9537	45474	43482	41440	39262	36646	33589							
			9.64	692	9850	46967	45039	43069	40993	38600	35640	33000						
			10.56	714	10164	48461	46593	44689	42703	40481	37718	34981						
	15	12.22	749	10662	50836	49056	47249	45380	43365	40964	38191	35786						
		14.02	784	11160	53212	51512	49791	48021	46157	44050	41493	38934	36720					
		15.89	818	11644	55519	53891	52246	50562	48809	46898	44647	42096	39810					
	20	17.30	841	11971	57080	55497	53898	52266	50578	48773	46702	44269	41888	39818				
		18.73	864	12299	58641	57100	55546	53963	52334	50610	48693	46428	44017	41901				
		20.37	888	12641	60270	58771	57260	55726	54151	52502	50710	48631	46279	44059	42111			
	60	60 TUB/ TUBSC	3	2.03	350	5532	31332	26710										
				2.58	374	5911	33480	29170	24493									
				3.06	397	6275	35539	31488	27177									
			5	3.64	422	6670	37777	33973	29988									
				4.43	447	7065	40015	36429	32715	28664								
				5.16	472	7460	42253	38860	35375	31642								
7.5			5.92	495	7824	44312	41079	37776	34283									
			6.89	518	8187	46371	43283	40142	36855	33328								
			7.83	542	8566	48520	45570	42578	39477	36184								
10			8.77	560	8851	50131	47277	44387	41410	38269	34826							
			9.58	578	9135	51743	48977	46183	43317	40313	37120							
			10.49	597	9436	53443	50767	48065	45306	42432	39401							
15		12.20	626	9894	56040	53488	50917	48301	45601	42774	39767							
		13.85	655	10353	58636	56197	53743	51256	48706	46054	43282							
		15.81	683	10795	61142	58804	56454	54077	51651	49148	46541	43809						
20		17.35	706	11159	63201	60939	58667	56373	54040	51643	49158	46576						
		19.23	729	11522	65260	63070	60871	58653	56405	54103	51728	49264	46690					
		21.31	753	11902	67409	65289	63161	61017	58848	56637	54365	52014	49584	46951				
25		22.11	763	12060	68304	66212	64112	61998	59860	57684	55450	53146	50762	48241				
		22.93	773	12218	69199	67134	65062	62977	60870	58727	56531	54267	51932	49494				
		23.77	783	12376	70094	68056	66011	63953	61875	59764	57606	55383	53089	50715				
72		72 TUB/ TUBSC	5	3.32	300	5684	46263	39801	32649									
				4.13	324	6139	49964	44003	37612									
				5.25	349	6612	53819	48298	42499	35366								
	7.5		6.04	366	6934	56441	51182	45715	39678									
			6.86	383	7256	59062	54041	48862	43269									
			7.87	400	7579	61684	56880	51953	46700	39793								
	10		8.71	413	7825	63689	59038	54286	49260	43596								
			9.51	426	8071	65693	61186	56594	51775	46548								
			10.41	440	8337	67852	63490	59057	54438	49499								
	15		12.12	461	8734	71091	66929	62713	58359	53749	48566							
			13.74	482	9132	74329	70350	66328	62202	57876	53275							
			15.84	504	9549	77722	73917	70079	66162	62090	57804	52965						
	20	17.40	521	9871	80343	76664	72956	69183	65285	61202	56849							
		19.26	538	10193	82965	79402	75815	72174	68433	64534	60441	55498						
		21.20	556	10534	85741	82294	78826	75315	71722	67997	64107	59930						
	25	22.86	570	10800	87900	84538	81158	77739	74251	70649	66900	62969	57782					
		24.63	584	11065	90059	86777	83480	80149	76760	73271	69650	65880	61638					
		26.46	599	11349	92372	89173	85960	82718	79425	76050	72556	68932	65081	59065				

Performance shown is for installation type A: free inlet, free outlet. Power rating (BHP) includes drive losses. Performance ratings do not include the effects of appurtenances in the airstream. **Shaded areas denote CFM values that require aluminum dampers.**



## **LOREN COOK COMPANY**

2015 E. DALE STREET  
SPRINGFIELD, MO 65803-4637

417.869.6474

FAX 417.862.3820

[lorencook.com](http://lorencook.com)